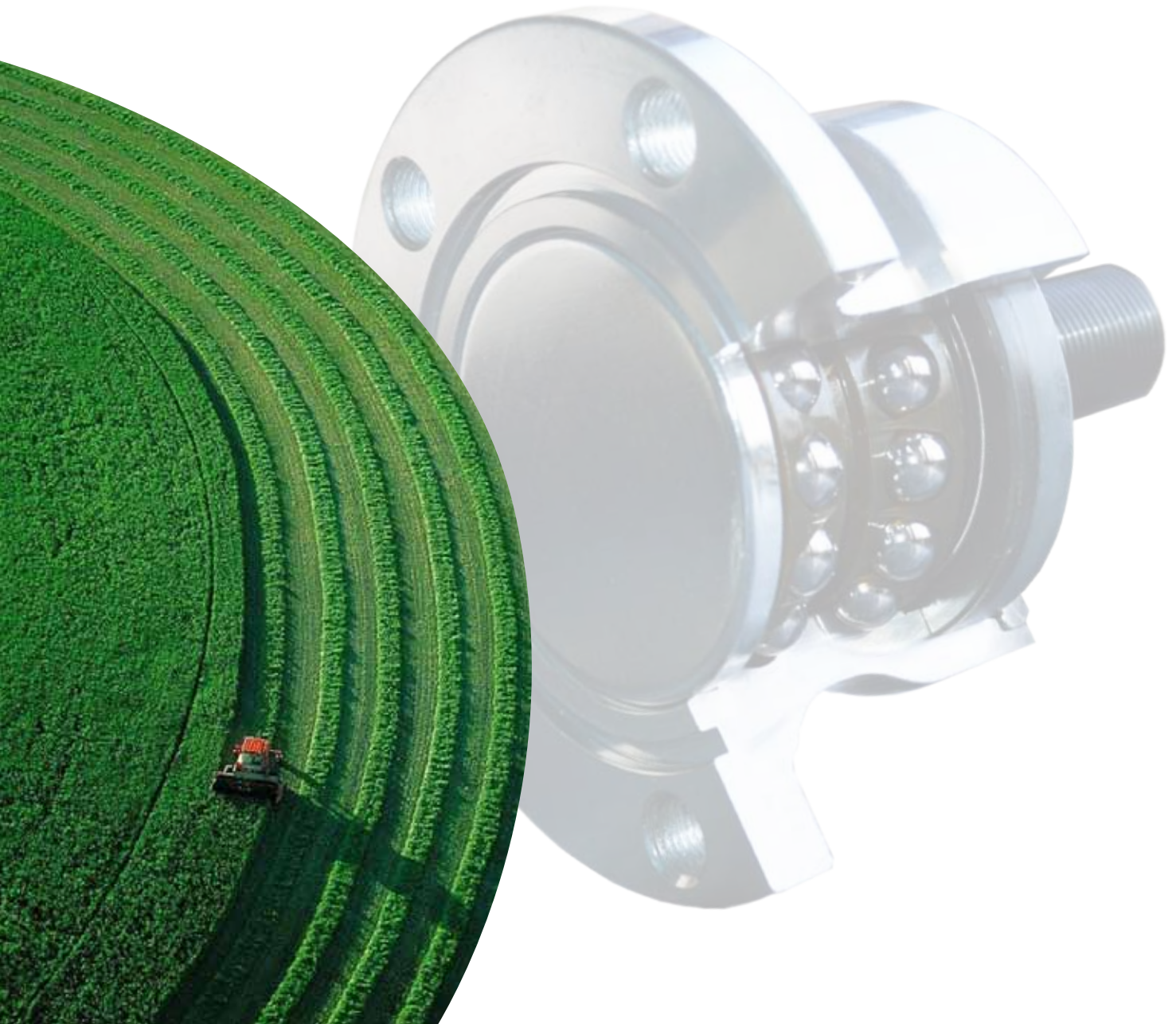


# FKL<sup>®</sup>

Factory of Rolling Bearings and Cardan Shafts

Poljoprivredni program prema zahtevu kupca  
*Customer Tailored Solutions in Agriculture*



# Sadržaj/Content

Agro Point IL2-117-M22-D	3
Agro Point IL2-117-M22-G	4
Agro Point IL2-117-M22-E	5
Agro Point IL2-117-M24-D	6
Agro Point IL2-117-F	7
PL-140	8
PL-185-M30-R (L)	9
306230	10
3206 B.2RS1	11
357234A	12
GWST 209PPB13	13
GWST 209PPB29	14
GWST 211PPB20	15
GW 211PP25	16
GW 211PP202	17
GWR 209PPB30	18
GWR 211PPB21	19
SBX 1227	20
GWHG 211PP25	21
GWHGR 211PP202	22
LE 210 2TB	23
VP-16/40/74,5	24
885152	25
885154B	26
3204 B.2RS1	27
3204 T	28
5206 KPP3	29
SL 3303 2S	30
SL 5203 2T	31
VP-M20x1.5/40/72-R (L)	32
06C04-2Z	33
Q 203PP.AH02	34
Q 203PP.AH05	35
SL 53-014-2T	36
SL 5316 2T	37
SLE 53-012-2T	38
SLU 53 012-2T	39

<b>205KRP2</b>	<b>40</b>
<b>LY 312 2F</b>	<b>41</b>
<b>LY 312-203 2F</b>	<b>42</b>
<b>SLE 47-16S-2RS</b>	<b>43</b>
<b>203KRR.AH02</b>	<b>44</b>
<b>203KRR.AH05</b>	<b>45</b>
<b>204KRR2</b>	<b>46</b>
<b>204KRRB2</b>	<b>47</b>
<b>LSFR 308 TBT.H.T.Zn</b>	<b>48</b>
<b>LSGR 205 FS</b>	<b>49</b>
<b>LSGR 207 TBS</b>	<b>50</b>
<b>LSGR 214 2TB</b>	<b>51</b>
<b>LSNR 205 2T</b>	<b>52</b>
<b>LSNR 207 TBS</b>	<b>53</b>
<b>209 KRR K/50.135</b>	<b>54</b>
<b>210RRB6</b>	<b>55</b>
<b>LY 208-108 2F.SH</b>	<b>56</b>
<b>W 208PPB16</b>	<b>57</b>
<b>W 208PP16</b>	<b>58</b>
<b>UYZ 205 2S.H</b>	<b>59</b>

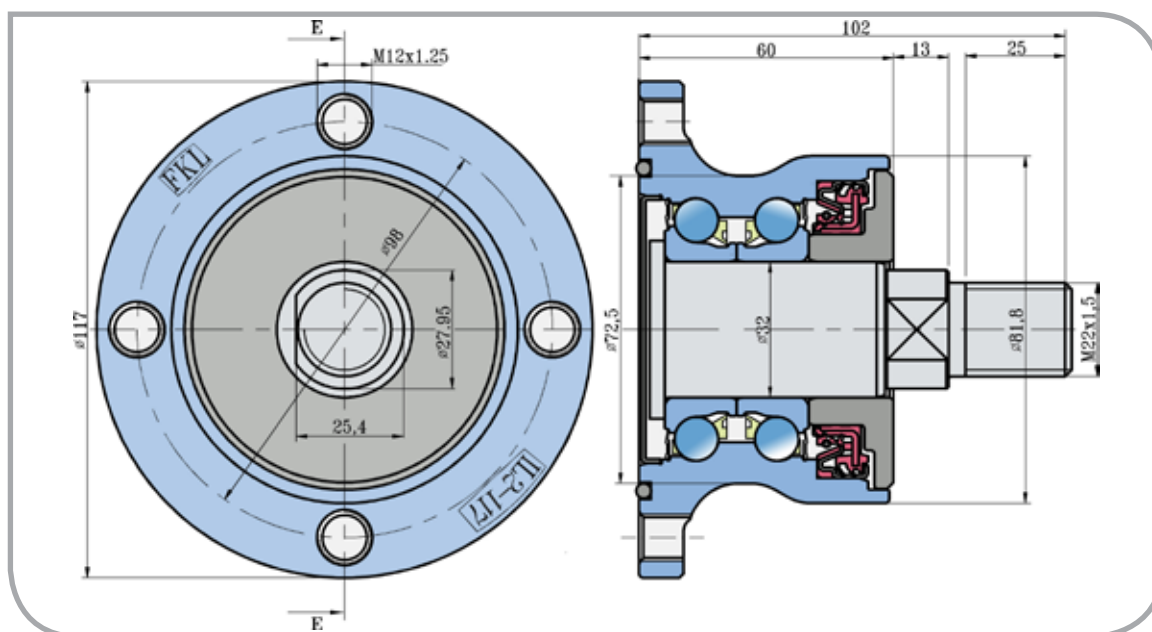
**Uperedne oznake/Interchange list for FKL Y -bearings and bearing units**



# Agro Point ležajna jedinica

## Agro Point Bearing Unit

Agro Point IL2-117-M22-D



Osnovne mere/Dimensions (mm)

d	C	D	J	M	L	B	E	G	kg
27,95	25,4	117	98	M12x1,25	102	60	13	M22x1,5	2,4

Potencijalno mesto ugradnje i primena:  
Typical Applications:

Tanjirače  
Disc Harrow

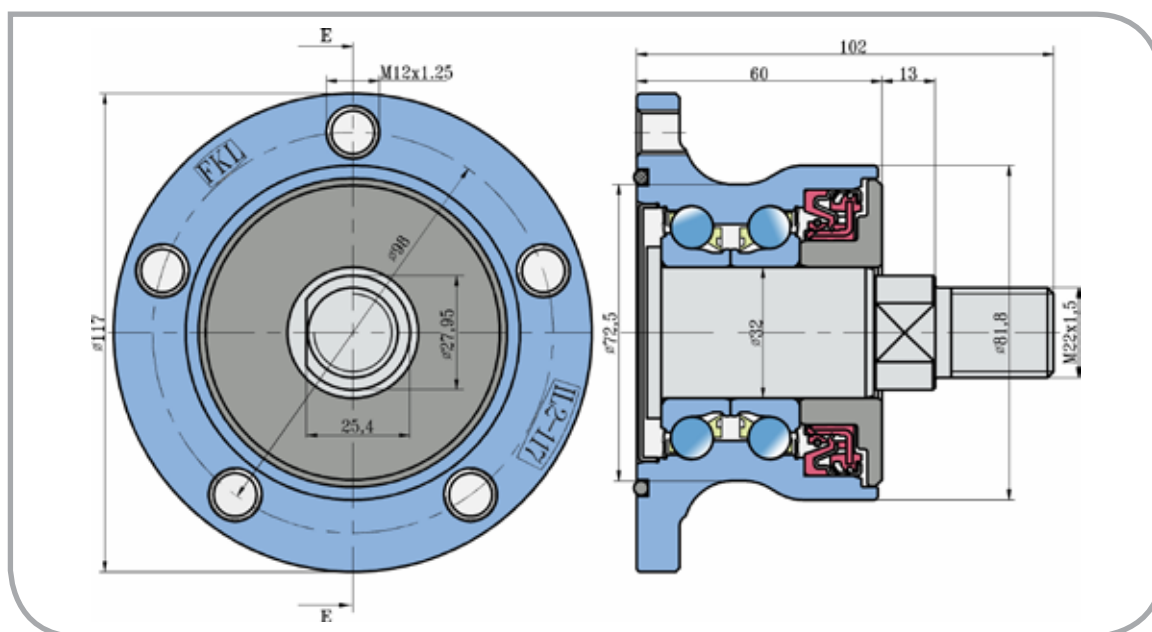
Ležajevi tanjirače  
Disc Harrow Solutions



# Agro Point ležajna jedinica

## Agro Point Bearing Unit

Agro Point IL2-117-M22-G



Osnovne mere/Dimensions (mm)

d	C	D	J	M	L	B	E	G	kg
27,95	25,4	117	98	M12x1,25	102	60	13	M22x1,5	2,4

Potencijalno mesto ugradnje i primena:  
Typical Applications:

Tanjirače  
Disc Harrow

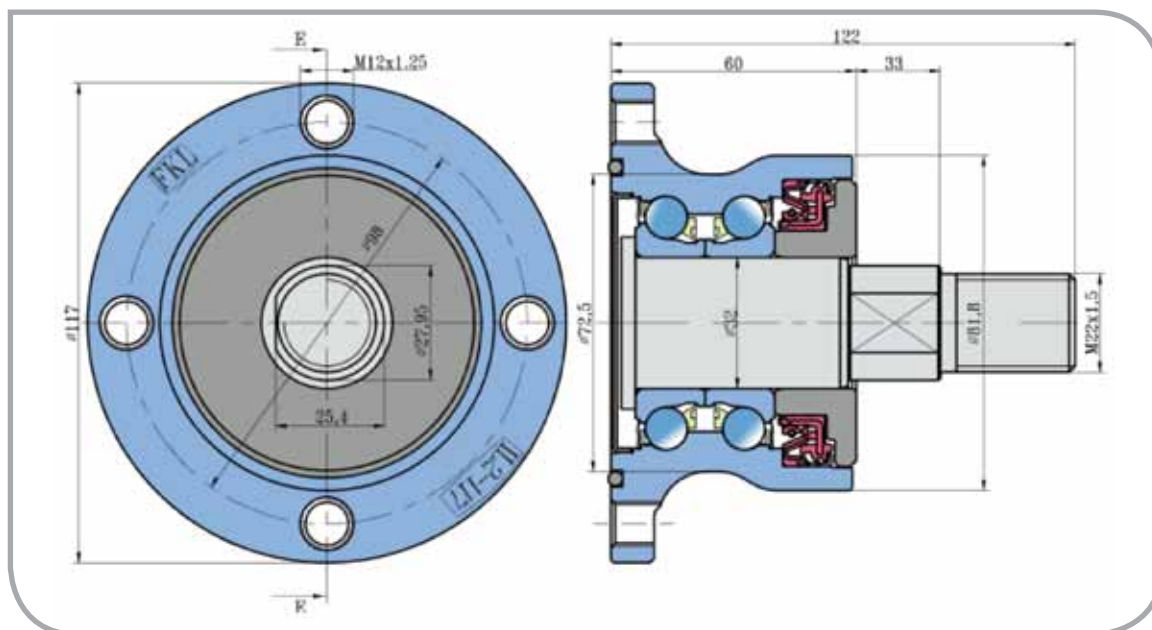
Ležajevi tanjirače  
Disc Harrow Solutions



# Agro Point ležajna jedinica

## Agro Point Bearing Unit

Agro Point IL2-117-M22-E



Osnovne mere/Dimensions (mm)

d	C	D	J	M	L	B	E	G	kg
27,95	25,4	117	98	M12x1,25	122	60	33	M22x1,5	2,4

Potencijalno mesto ugradnje i primena:  
Typical Applications:

Tanjirače  
Disc Harrow

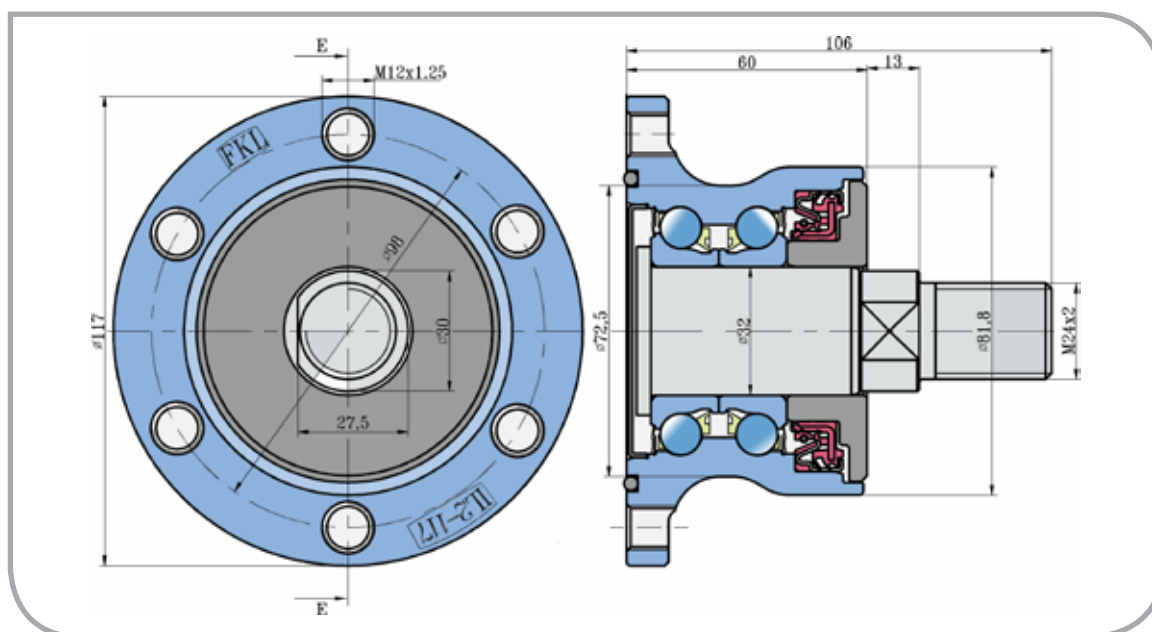
Ležajevi tanjirače  
Disc Harrow Solutions



# Agro Point ležajna jedinica

## Agro Point Bearing Unit

Agro Point IL2-117-M24-D



Osnovne mere/Dimensions (mm)

d	C	D	J	M	L	B	E	G	kg
30	27,5	117	98	M12x1,25	106	60	13	M24x2	2,4

Potencijalno mesto ugradnje i primena:  
Typical Applications:

Tanjirače  
Disc Harrow

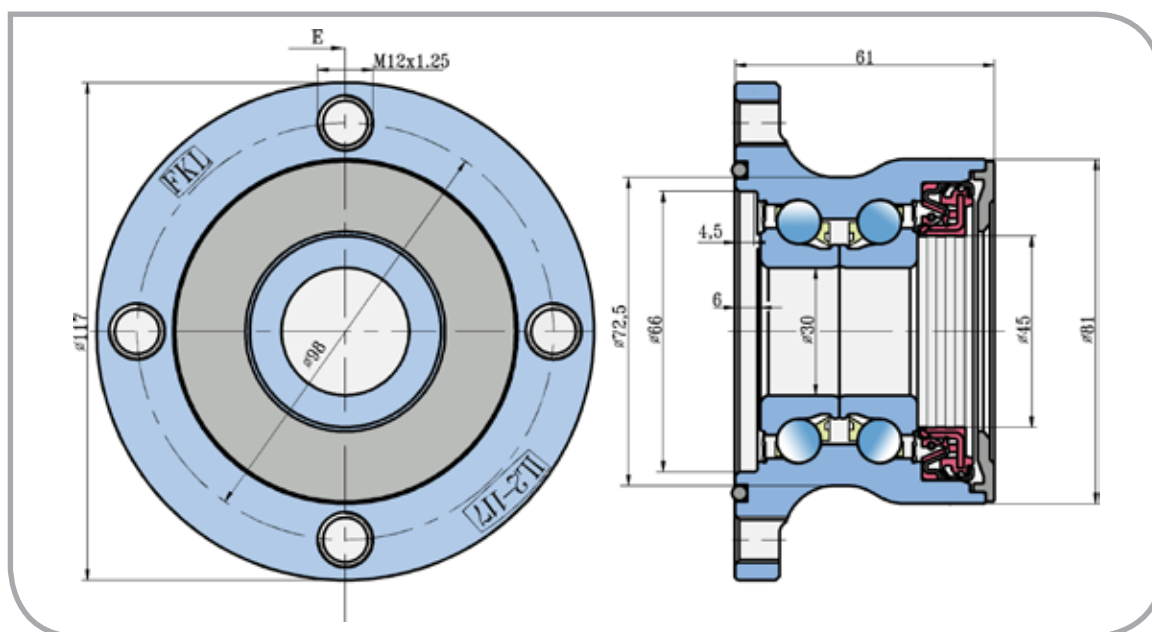
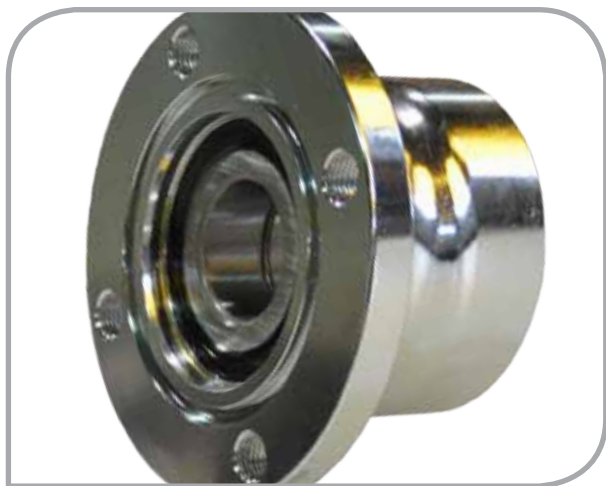
Ležajevi tanjirače  
Disc Harrow Solutions



# Agro Point ležajna jedinica

## Agro Point Bearing Unit

Agro Point IL2-117-F



Osnovne mere/Dimensions (mm)

d	D	J	B	kg
30	117	98	61	1,50

Potencijalno mesto ugradnje i primena:  
Typical Applications:

Tanjirače  
Disc Harrow

Ležajevi tanjirače  
Disc Harrow Solutions



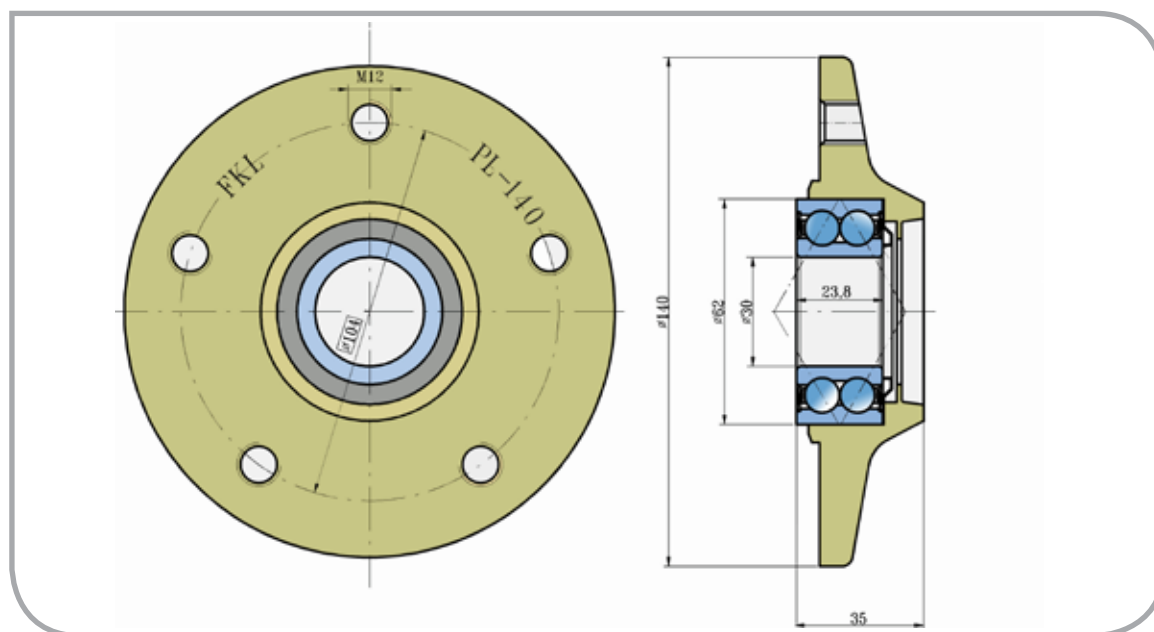


# Ležajna jedinica Bearing Unit

PL-140

## UPOREDNE OZNAKE COMPARATIVE DESIGNATION

FKL	PL-140
VÄDERSTAD	420832



Osnovne mere/Dimensions (mm)

d	D	J	M	B	C	kg
30	140	104	M12	35	23,8	1,5

Potencijalno mesto ugradnje i primena:  
Typical Applications:

Tanjirače  
Disc Harrow

Ležajevi tanjirače  
Disc Harrow Solutions



# Ležajna jedinica Bearing Unit

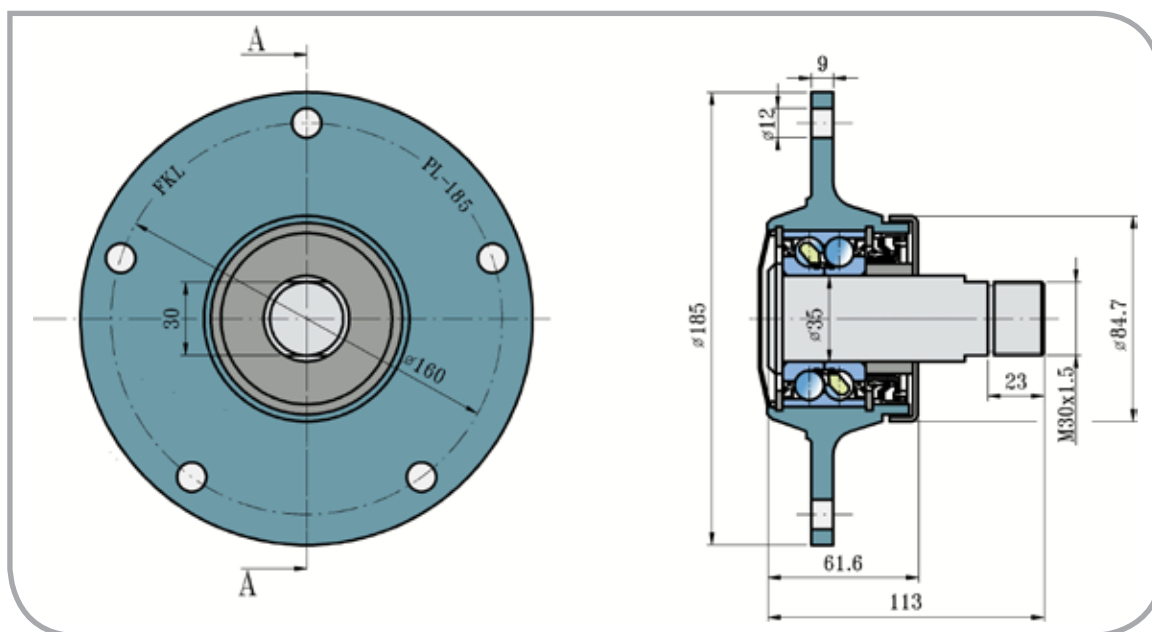
PL-185-M30-R (L)

## UPOREDNE OZNAKE COMPARATIVE DESIGNATION

FKL	PL-185-M30-R (L)
LEMKEN	5554502 (5554503)



Ležajevi tanjirače  
Disc Harrow Solutions



Osnovne mere/Dimensions (mm)

d	D	J	N	B	C	G	kg
35	185	160	12	113	61,6	M30x1.5	3,92

Potencijalno mesto ugradnje i primena:  
Typical Applications:

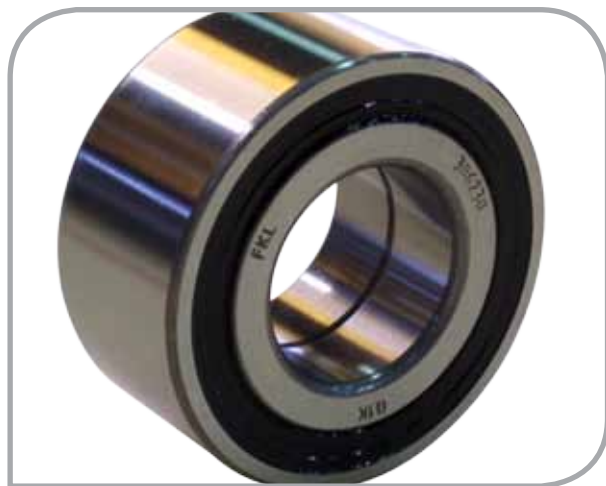
Tanjirače  
Disc Harrow



# Dvoredni kuglični ležaj sa kosim dodirom

## Double Row Angular Contact Ball Bearing

### 306230

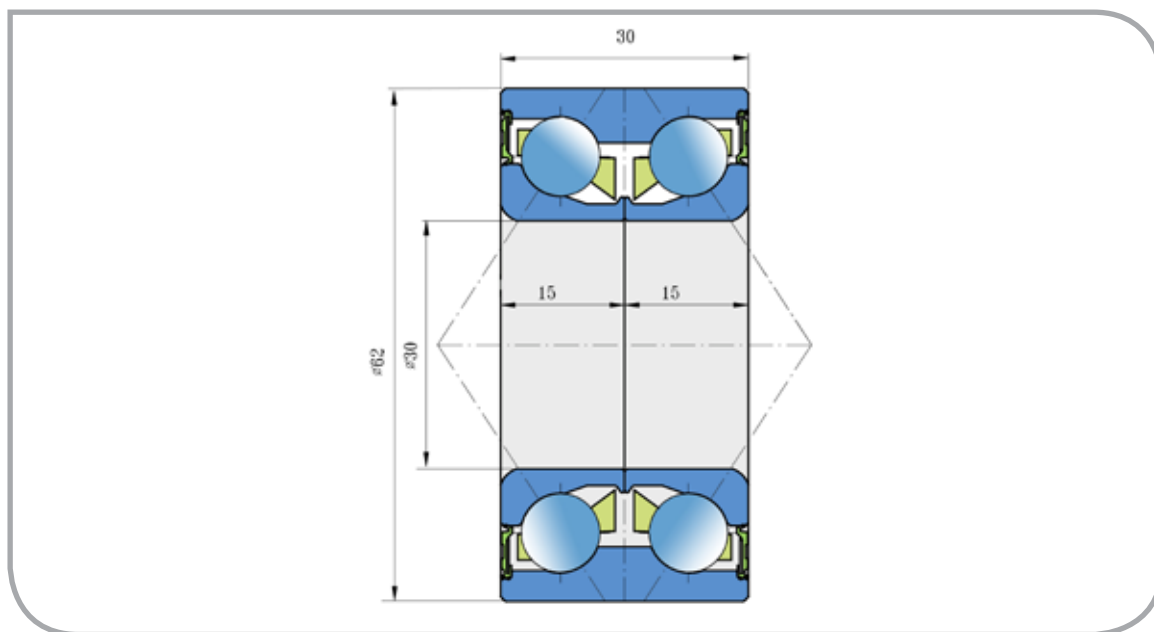


#### UPOREDNE OZNAKE

#### COMPARATIVE DESIGNATION

FKL 306230

LEMKEN 3198760



Osnovne mere/Dimensions (mm)

d	D	B	kg
30	62	30	0,390

Potencijalno mesto ugradnje i primena:  
Typical Applications:

Tanjirače  
Disc Harrow

Ležajevi tanjirače  
Disc Harrow Solutions



# Dvoredni kuglični ležaj sa kosim dodirom

## Double Row Angular Contact Ball Bearing

### 3206 B.2RS1

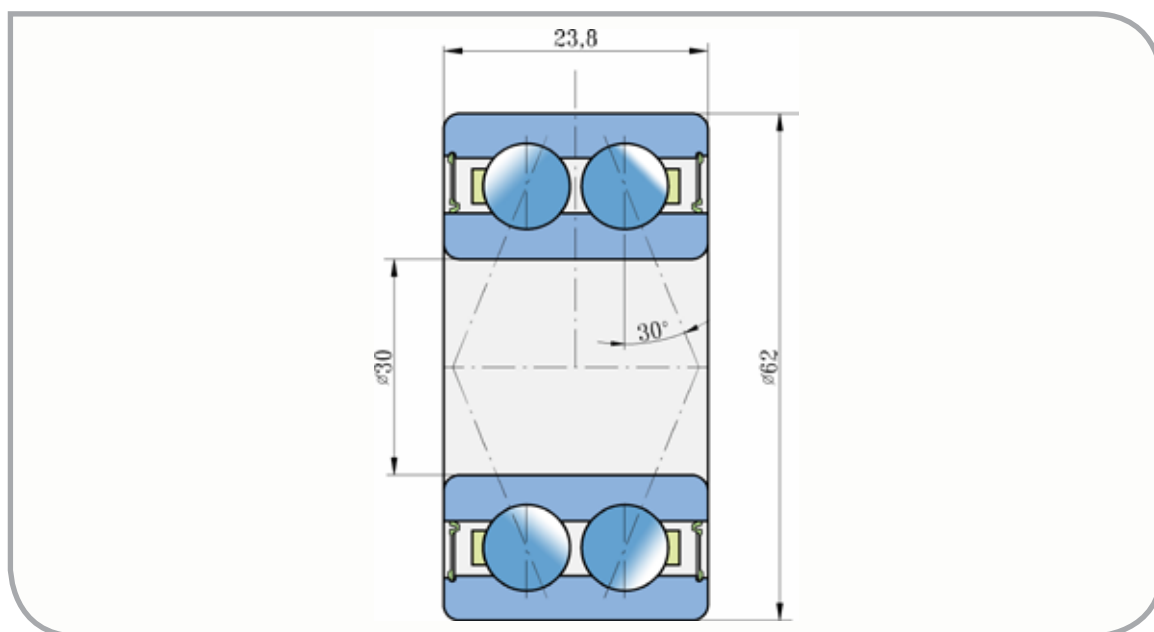


#### UPOREDNE OZNAKE

#### COMPARATIVE DESIGNATION

FKL	3206 B.2RS1
AMAZONE	CC010

Ležajevi tanjirače  
Disc Harrow Solutions



Osnovne mere/Dimensions (mm)

d	D	B	kg
30	62	23,8	0,285

Potencijalno mesto ugradnje i primena:  
Typical Applications:

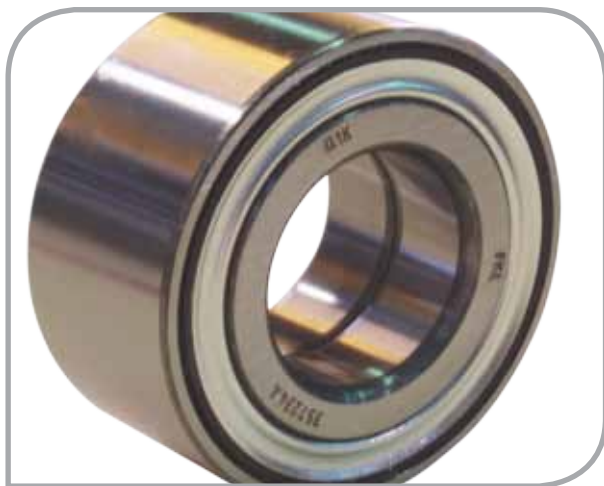
Tanjirače  
Disc Harrow



# Dvoredni kuglični ležaj sa kosim dodirom

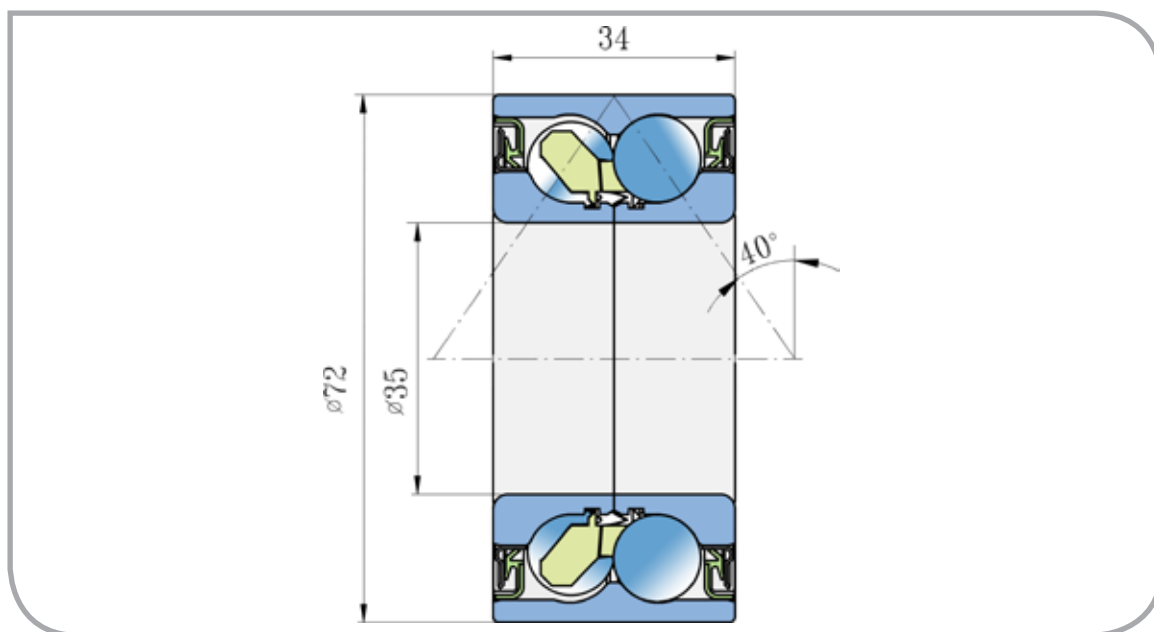
## Double Row Angular Contact Ball Bearing

### 357234A



#### UPOREDNE OZNAKE COMPARATIVE DESIGNATION

FKL	<b>357234A</b>
SKF	VKBA 857D
NKE	3198750
LEMKEN	F214101-1 3198750
SNR	GB-40582
CLAAS	939717.0
FERSA	A+S F16201



Osnovne mere/Dimensions (mm)

d	D	B	kg
35	72	34	0,539

Potencijalno mesto ugradnje i primena:  
Typical Applications:

Tanjirače  
Disc Harrow

Ležajevi tanjirače  
Disc Harrow Solutions



# Ležajna jedinica sa limenim kućištem

## Bearing Unit with Metal Sheet Housing

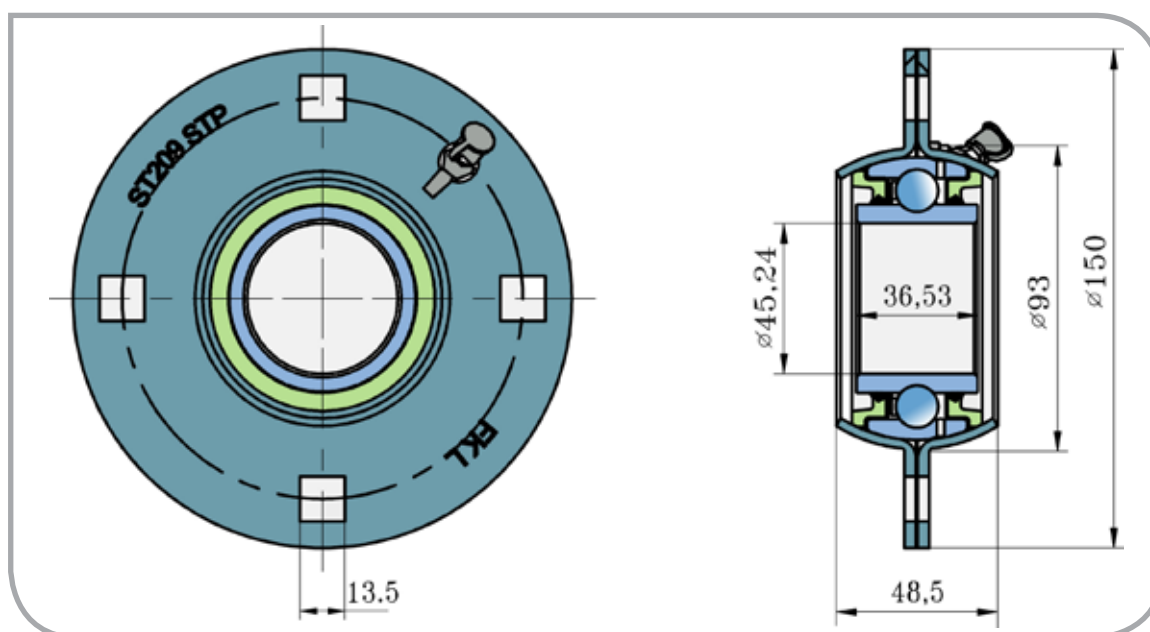
GWST 209PPB13



### UPOREDNE OZNAKE

#### COMPARATIVE DESIGNATION

FKL	GWST 209PPB13
JOHN DEERE	AA30941
	DS209TTR13
	ST 209 1 3/4
	AA29784
	AA28184



Osnovne mere/Dimensions (mm)

d	D	B	C	N	kg
45,24	150	48,5	36,53	13,5	1,836

Potencijalno mesto ugradnje i primena:  
Typical Applications:

Tanjirače  
Disc Harrow

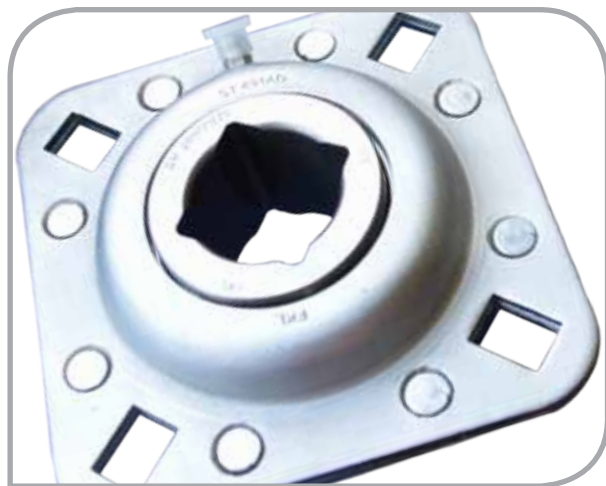
Ležajevi tanjirače  
Disc Harrow Solutions



# Ležajna jedinica sa limenim kućištem

## Bearing Unit with Metal Sheet Housing

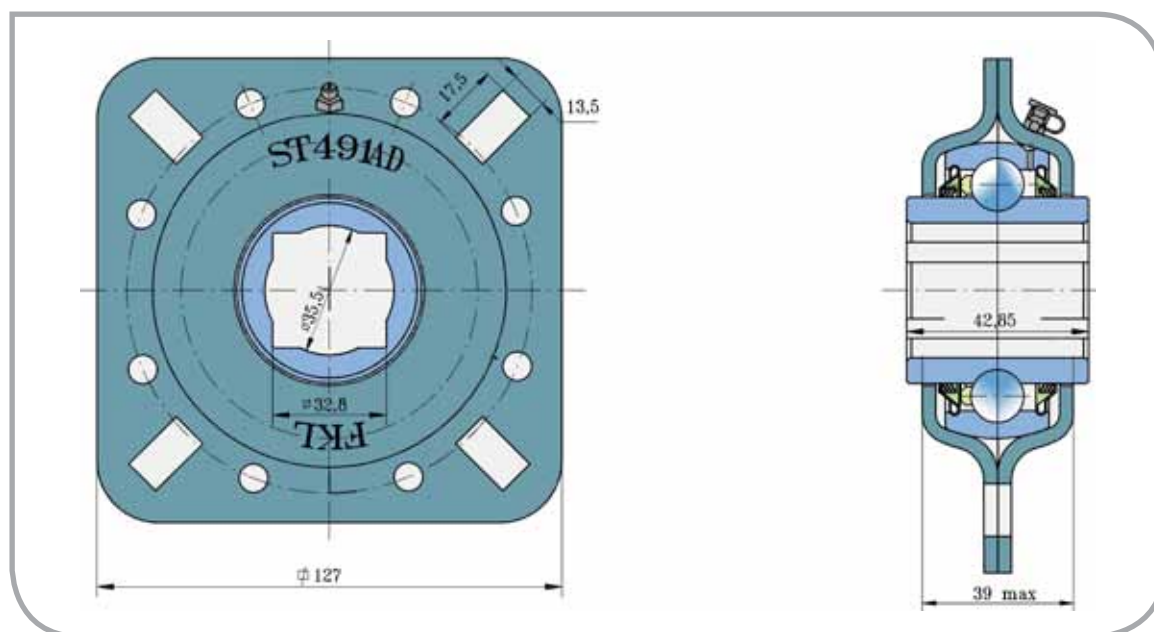
### GWST 209PPB29



#### UPOREDNE OZNAKE

##### COMPARATIVE DESIGNATION

FKL	GWST 209PPB29
KUHN	FD209RK
KRAUSE	ST 209 1 1/4SQ
	40-128
	5635
GREAT PLAINS	822-209C
	311007
	DHU114S209



Osnovne mere/Dimensions (mm)

a	B	C	L	M	N	kg
32,8	42,85	39	127	17,5	13,5	1,630

Potencijalno mesto ugradnje i primena:  
Typical Applications:

Tanjirače  
Disc Harrow

Ležajevi tanjirače  
Disc Harrow Solutions



# Ležajna jedinica sa limenim kućištem

## Bearing Unit with Metal Sheet Housing

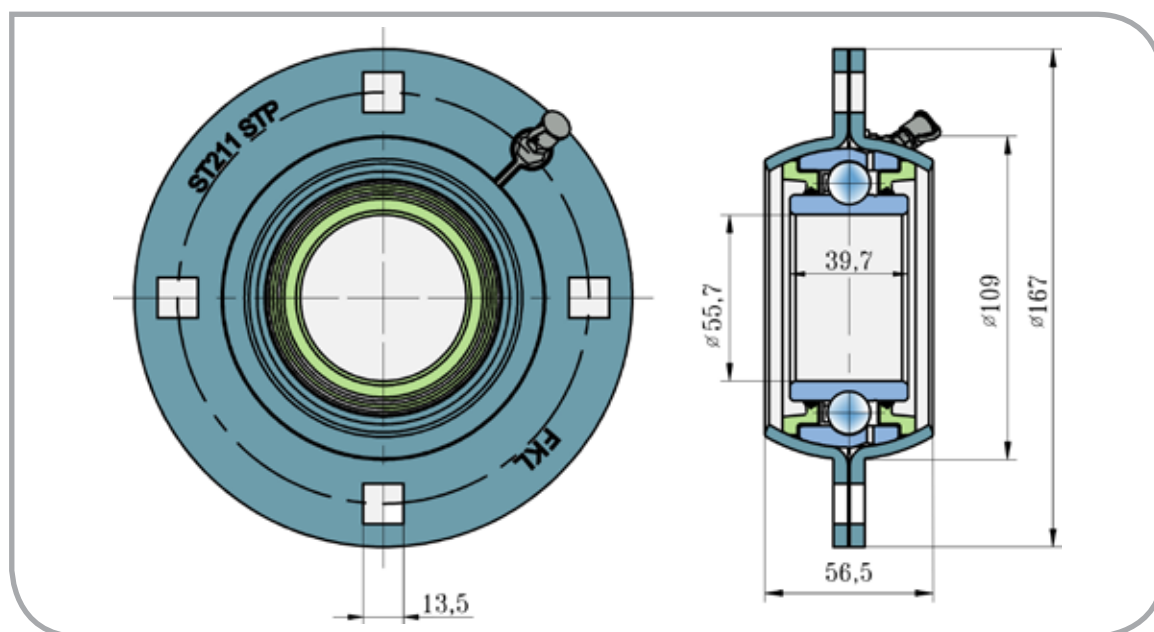
### GWST 211PPB20



#### UPOREDNE OZNAKE

#### COMPARATIVE DESIGNATION

FKL	GWST 211PPB20
JOHN DEERE	AA 30942
	822-208C
	AA27172
	AA28186
	DS211TTR20
	ST 211-2 3/16



Osnovne mere/Dimensions (mm)

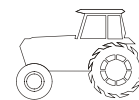
d	D	B	C	N	kg
55,7	167	56,5	39,7	13,5	2,706

Potencijalno mesto ugradnje i primena:  
Typical Applications:

Tanjirače  
Disc Harrow

Ležajevi tanjirače  
Disc Harrow Solutions





# Kuglični ležaj Ball Bearing

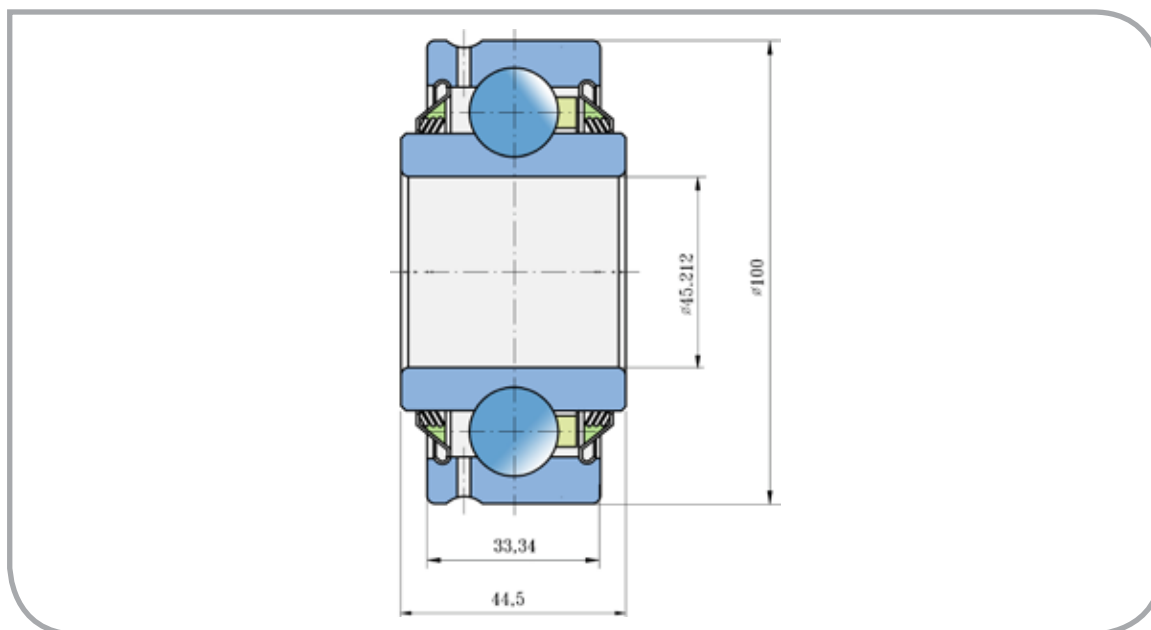
GW 211PP25



## UPOREDNE OZNAKE COMPARATIVE DESIGNATION

<b>FKL</b>	<b>GW 211PP25</b>
SUNFLOWER	SN3091

Ležajevi tanjirače  
Disc Harrow Solutions



Osnovne mere/Dimensions (mm)

d	D	B	C	kg
45,212	100	44,5	33,34	1,11

Potencijalno mesto ugradnje i primena:  
Typical Applications:

Tanjirače  
Disc Harrow



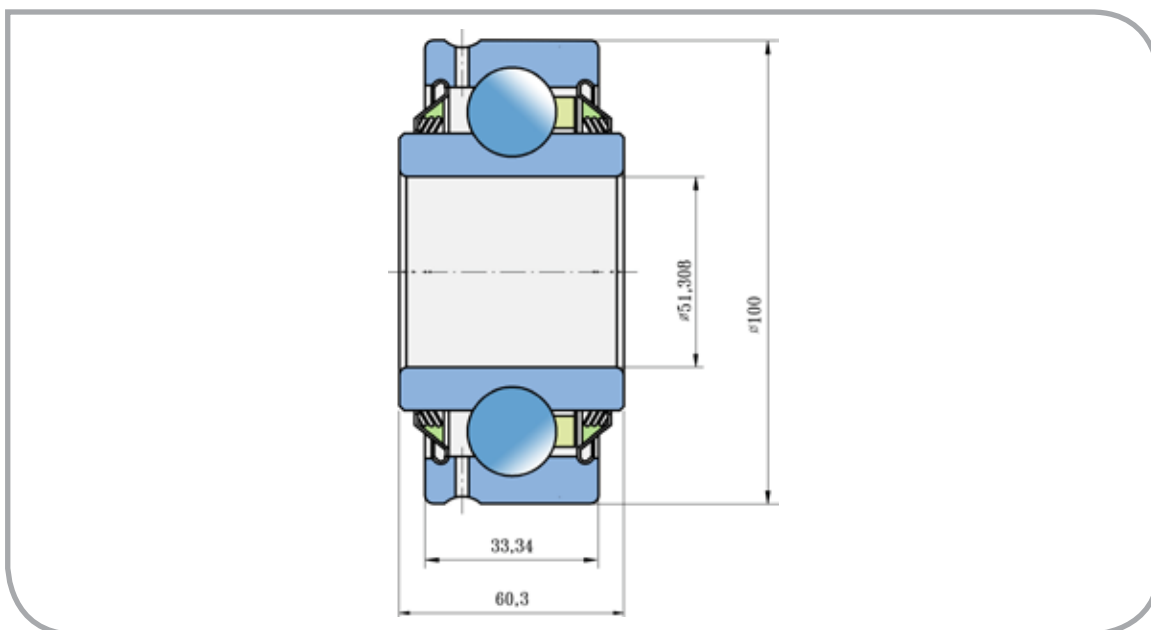
# Kuglični ležaj Ball Bearing

## GW 211PP202



### UPOREDNE OZNAKE COMPARATIVE DESIGNATION

FKL	GW 211PP202
SUMMERS	8K2050
	8K2000



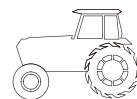
Osnovne mere/Dimensions (mm)

d	D	B	C	kg
51,308	100	60,3	33,34	1,11

Potencijalno mesto ugradnje i primena:  
Typical Applications:

Tanjirače  
Disc Harrow

Ležajevi tanjirače  
Disc Harrow Solutions



# Gumirana ležajna jedinica

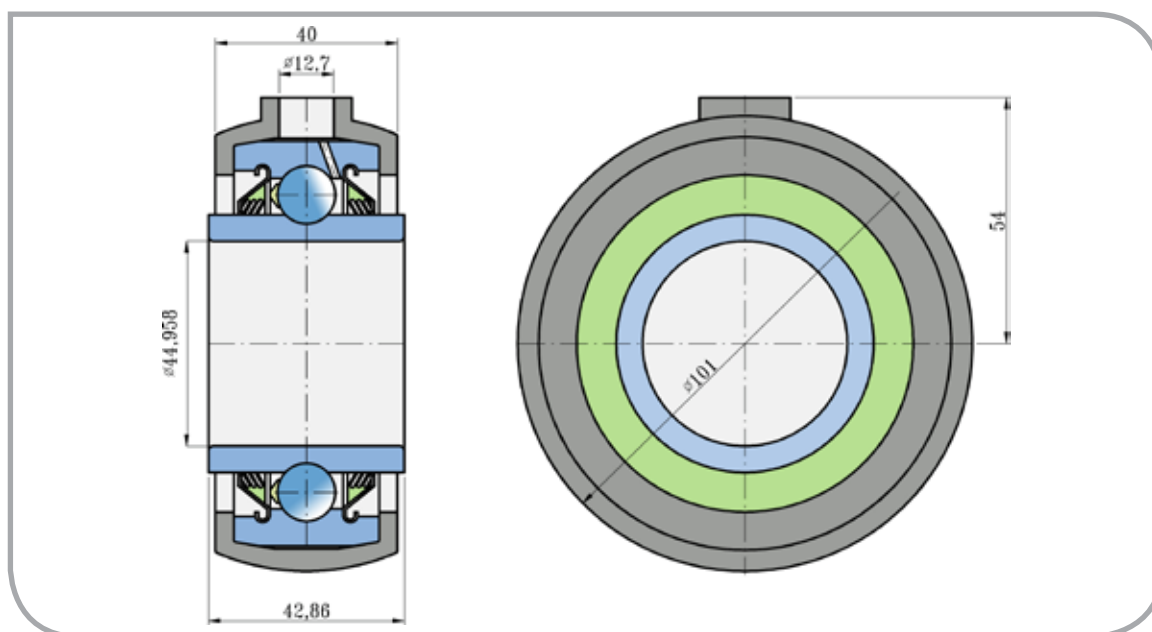
## Rubberized Bearing Unit

GWR 209PPB30

### UPOREDNE OZNAKE

#### COMPARATIVE DESIGNATION

FKL	GWR 209PPB30
KRAUSE	40-167
KABAT	1927-11-0
	GW209PPB23+BR209RH



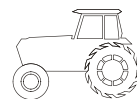
Osnovne mere/Dimensions (mm)

d	D	B	H	C	N	kg
44,958	101	42,86	54	40	12,7	0,92

Potencijalno mesto ugradnje i primena:  
Typical Applications:

Tanjirače  
Disc Harrow

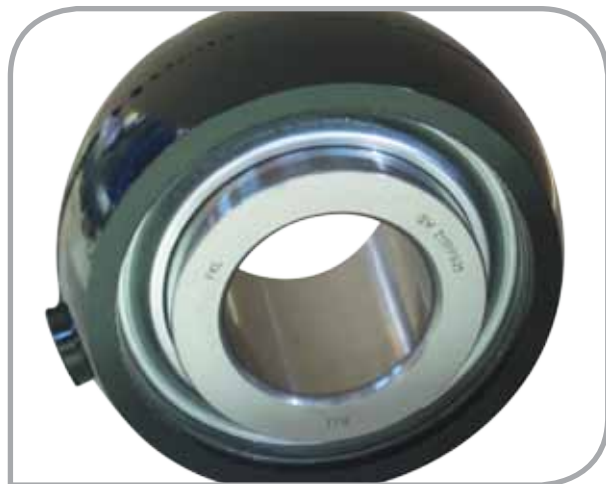
Ležajevi tanjirače  
Disc Harrow Solutions



# Gumirana ležajna jedinica

## Rubberized Bearing Unit

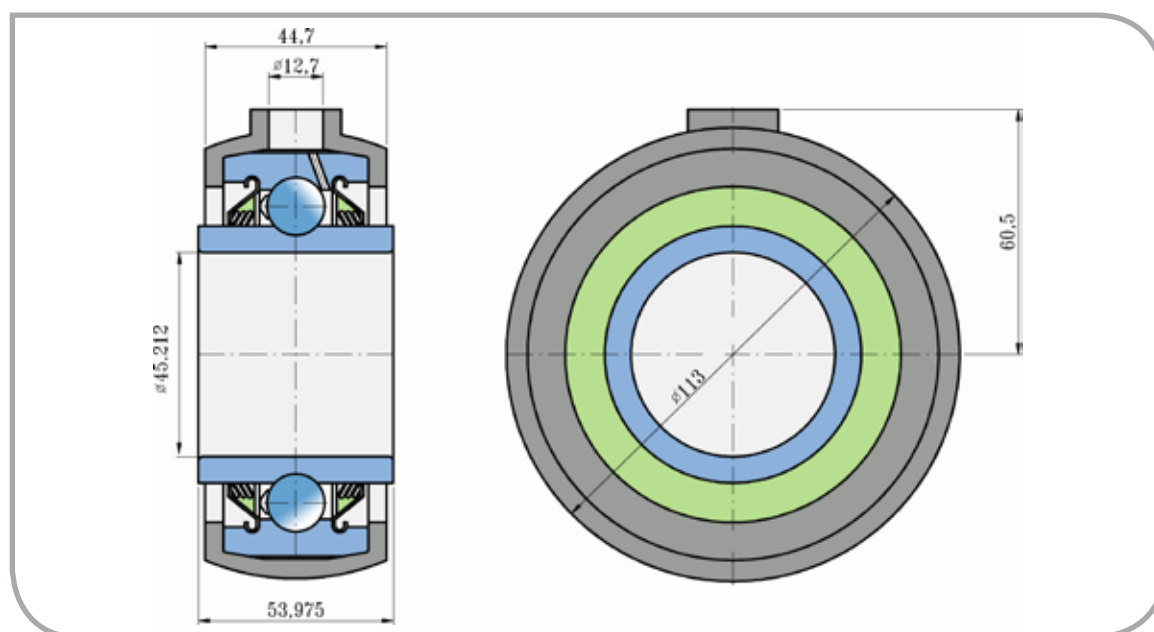
GWR 211PPB21



### UPOREDNE OZNAKE

#### COMPARATIVE DESIGNATION

FKL	GWR 211PPB21
GREAT PLAINS	822-026
KRAUSE	CDS211TTR23N/3A
	GW211PPB21+BR211RH
	2410-10-0



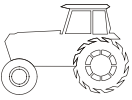
Osnovne mere/Dimensions (mm)

d	D	B	H	C	N	kg
45,212	113	53,975	60,5	44,7	12,7	1,620

Potencijalno mesto ugradnje i primena:  
Typical Applications:

Tanjirače  
Disc Harrow

Ležajevi tanjirače  
Disc Harrow Solutions



# Kuglični ležaj Ball Bearing

## SBX 1227

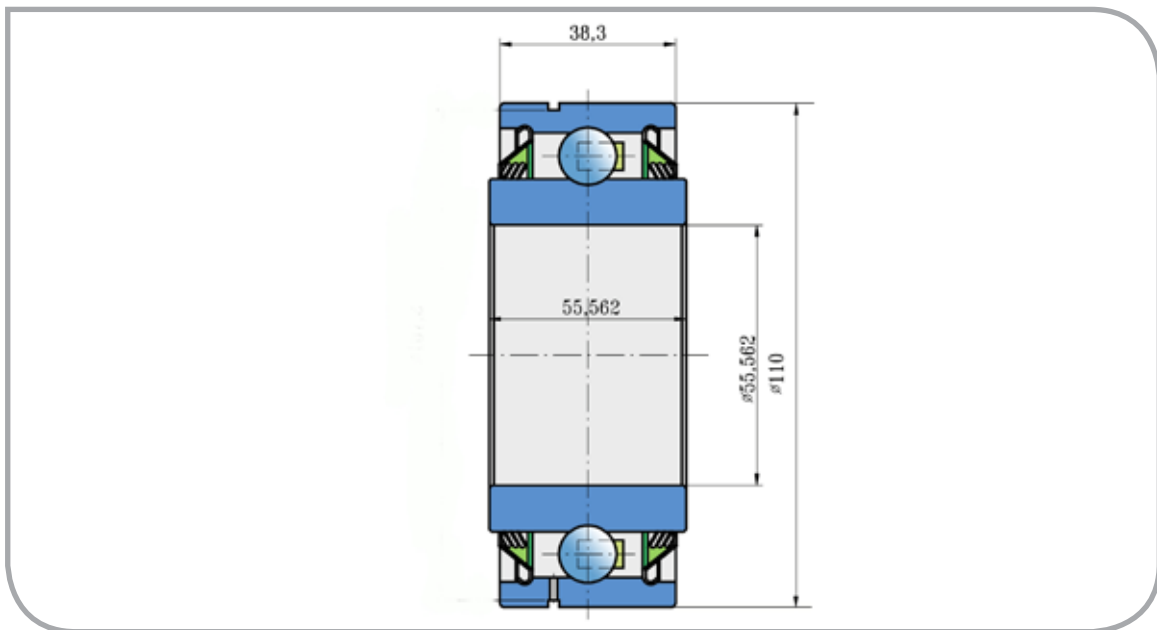


### UPOREDNE OZNAKE COMPARATIVE DESIGNATION

FKL **SBX 1227**

CASE 409556A1

Ležajevi tanjirače  
Disc Harrow Solutions

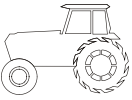


Osnovne mere/Dimensions (mm)

d	D	B	C	kg
55,562	110	55,562	38,3	1,8

Potencijalno mesto ugradnje i primena:  
Typical Applications:

Tanjirače  
Disc Harrow



# Podešljiva ležajna jedinica

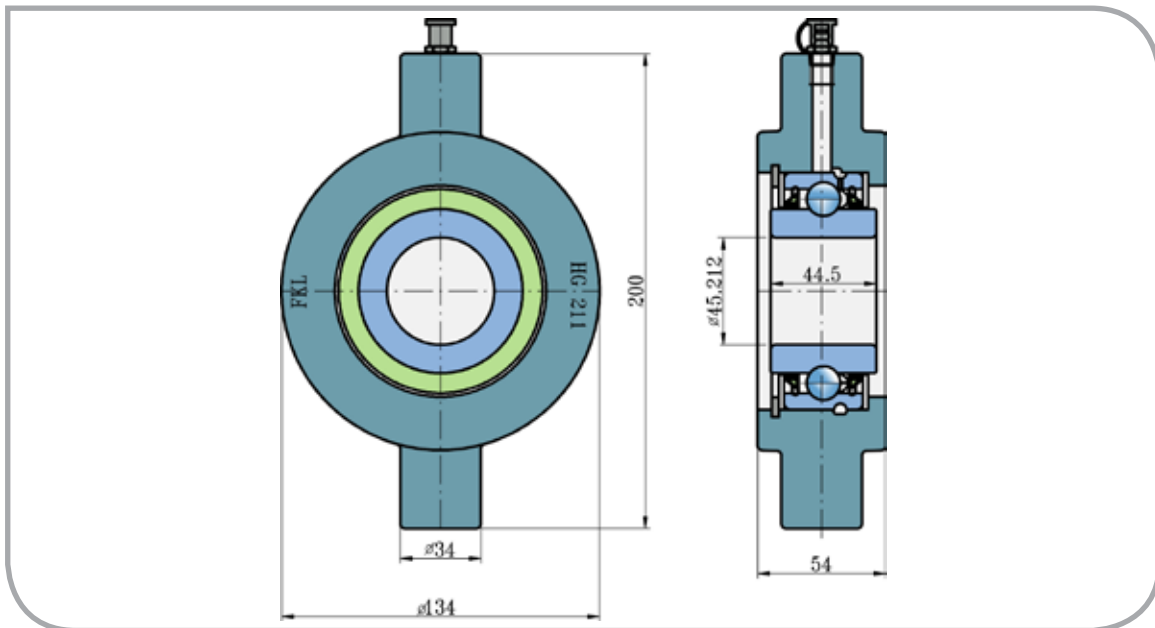
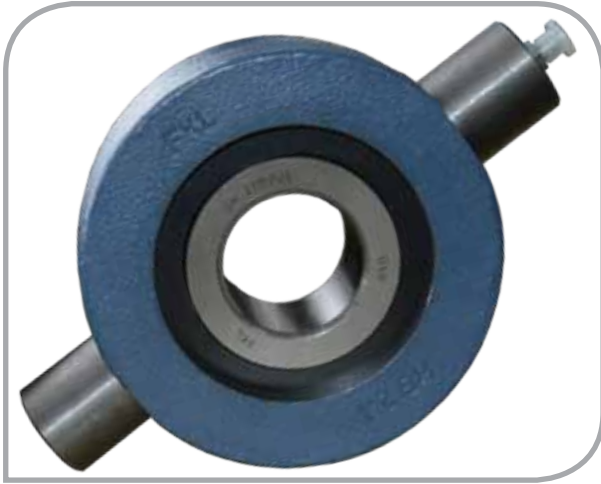
## Trunnion Bearing Unit

### GWHG 211PP25

#### UPOREDNE OZNAKE

#### COMPARATIVE DESIGNATION

FKL	GWHG 211PP25
SUNFLOWER	SN3090



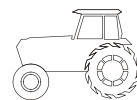
Osnovne mere/Dimensions (mm)

d	B	H	L	C	kg
45, 212	54	200	134	44,5	4,88

Potencijalno mesto ugradnje i primena:  
Typical Applications:

Tanjirače  
Disc Harrow

Ležajevi tanjirače  
Disc Harrow Solutions



# Podešljiva ležajna jedinica

## Trunnion Bearing Unit

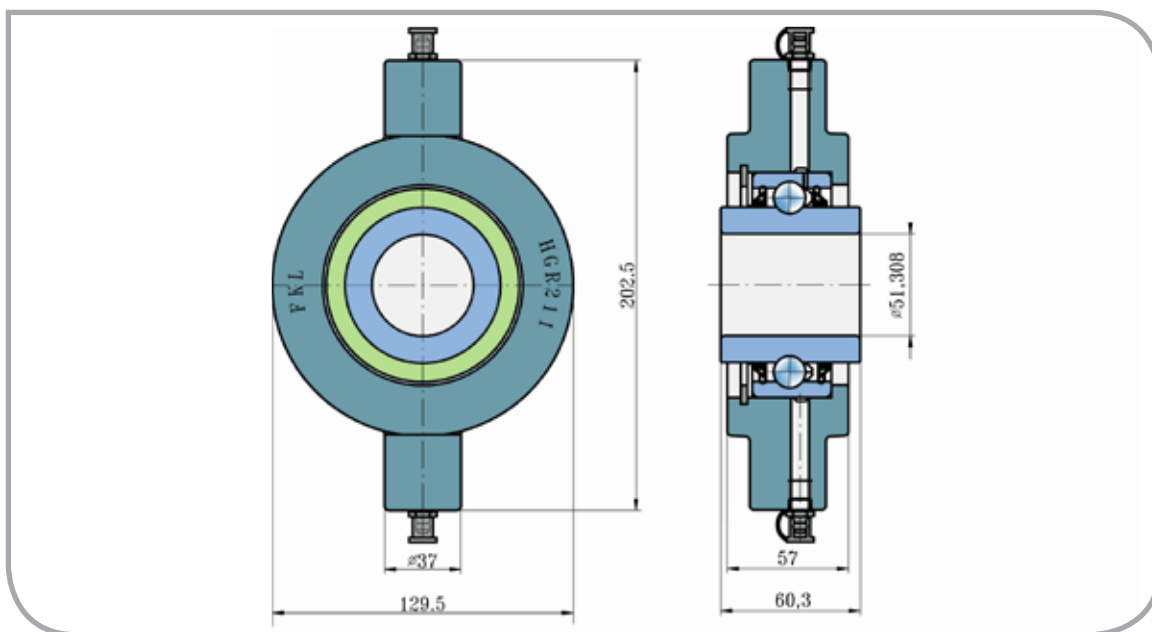
GWHGR 211PP202



### UPOREDNE OZNAKE

#### COMPARATIVE DESIGNATION

FKL	GWHGR 211PP202
SUMMERS	8K2050
	8K2000



Osnovne mere/Dimensions (mm)

d	B	H	L	C	kg
51,308	60,3	202,5	129,5	57	4,8

Potencijalno mesto ugradnje i primena:  
Typical Applications:

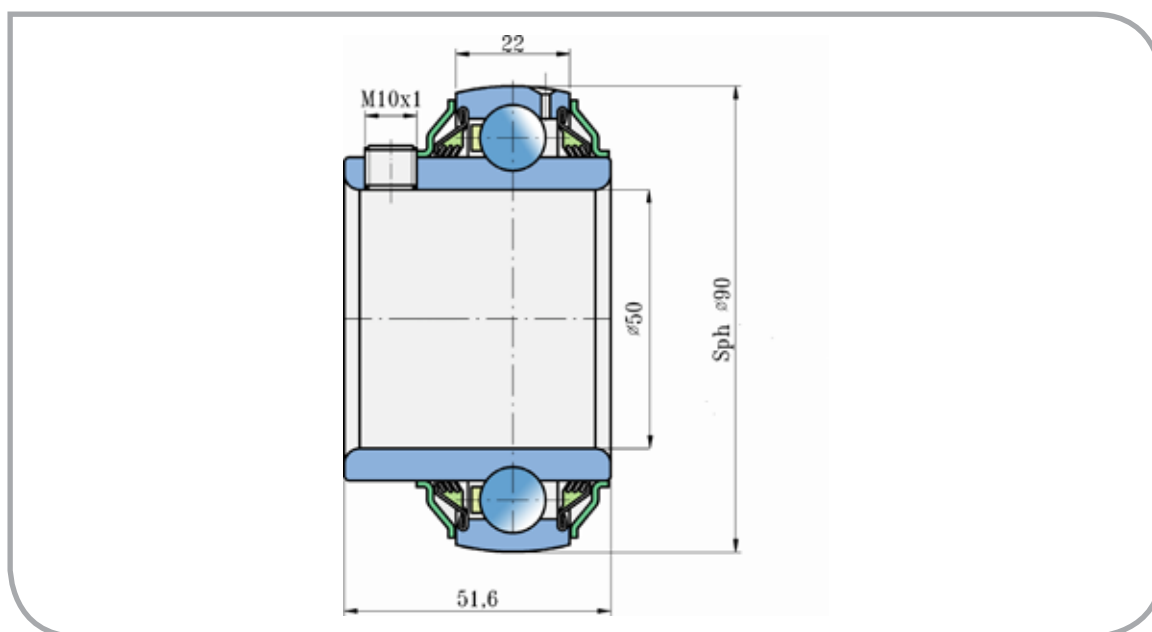
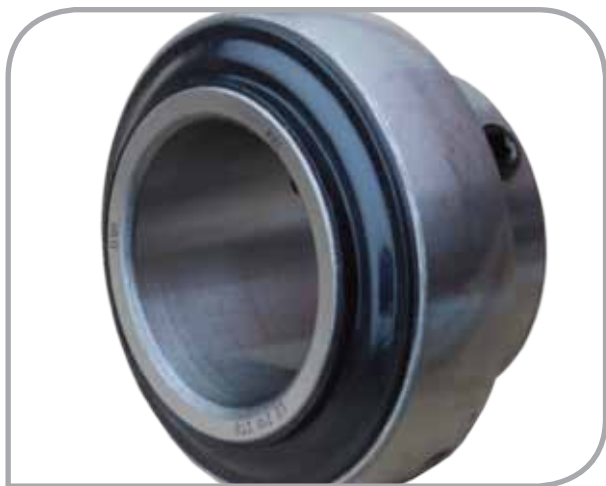
Tanjirače  
Disc Harrow

Ležajevi tanjirače  
Disc Harrow Solutions



# Kuglični ležaj Ball Bearing

LE 210 2TB



Osnovne mere/Dimensions (mm)

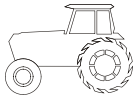
d	D	B	C	M	kg
50	90	51,6	22	10x1	0,70

Potencijalno mesto ugradnje i primena:  
Typical Applications:

Tanjirače  
Disc Harrow

Ležajevi tanjirače  
Disc Harrow Solutions





# Dvoredni kuglični ležaj sa osovnicom

## Double Row Ball Bearing with Shaft

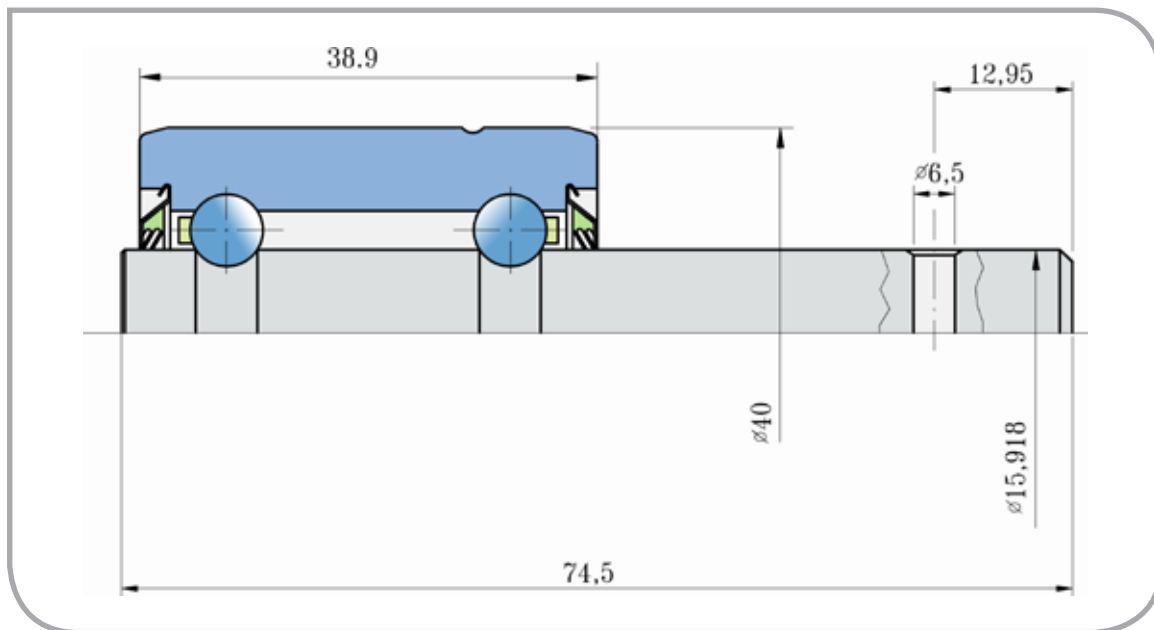
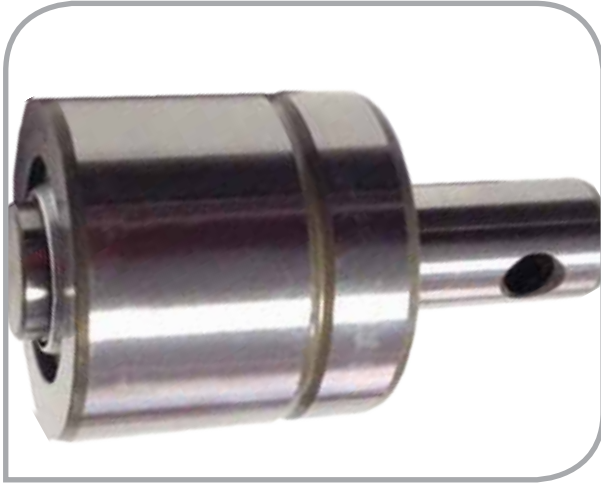
VP-16/40/74,5

### UPOREDNE OZNAKE

#### COMPARATIVE DESIGNATION

FKL VP-16/40/74,5

GASPARDO F04100040



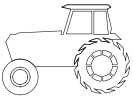
Osnovne mere/Dimensions (mm)

d	D	B	C	kg
15,918	40	74,5	38,9	0,352

Potencijalno mesto ugradnje i primena:  
Typical Applications:

Sejačice  
Seeding Machine

Ležajevi sejačice  
Seeding Machine Solutions



# Dvoredni kuglični ležaj sa osovnicom

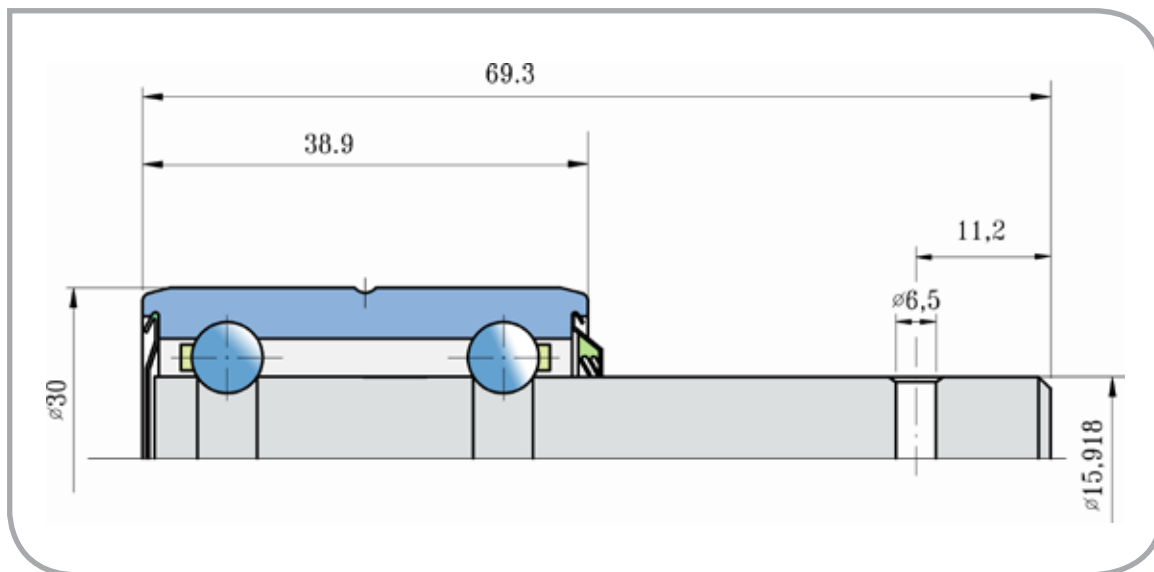
## Double Row Ball Bearing with Shaft

885152



### UPOREDNE OZNAKE COMPARATIVE DESIGNATION

<b>FKL</b>	<b>885152</b>
JOHN DEERE	AA21015 AA35741
CASE	128558C91 IH  GA2022  ST 022-096
TORO	751290  AC70593891



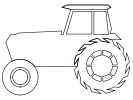
Osnovne mere/Dimensions (mm)

d	D	B	C	kg
15,918	30	69,3	38,9	0,178

Potencijalno mesto ugradnje i primena:  
Typical Applications:

Sejačice  
Seeding Machine

Ležajevi sejačice  
Seeding Machine Solutions



# Dvoredni kuglični ležaj sa osovnicom

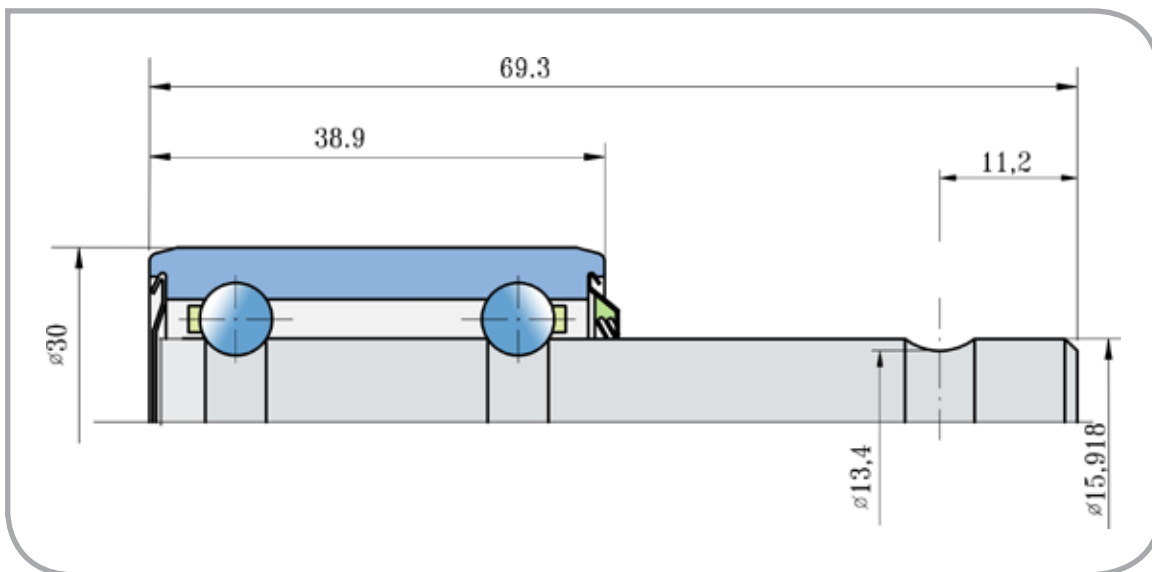
## Double Row Ball Bearing with Shaft

### 885154B



#### UPOREDNE OZNAKE COMPARATIVE DESIGNATION

<b>FKL</b>	<b>885154B</b>
FAFNIR	AN131668
GREAT PLAINS	822-023C
	AA49161
	446612MI
	369851
IBO	6930 SRR2
	851-SMA885154B
	7535011
	822023CF108
HORSCH	00310131



Osnovne mere/Dimensions (mm)

d	D	B	C	kg
15,918	30	69,3	38,9	0,182

Potencijalno mesto ugradnje i primena:  
Typical Applications:

Sejačice  
Seeding Machine



# Dvoredni kuglični ležaj sa kosim dodirom

## Double Row Angular Contact Ball Bearing

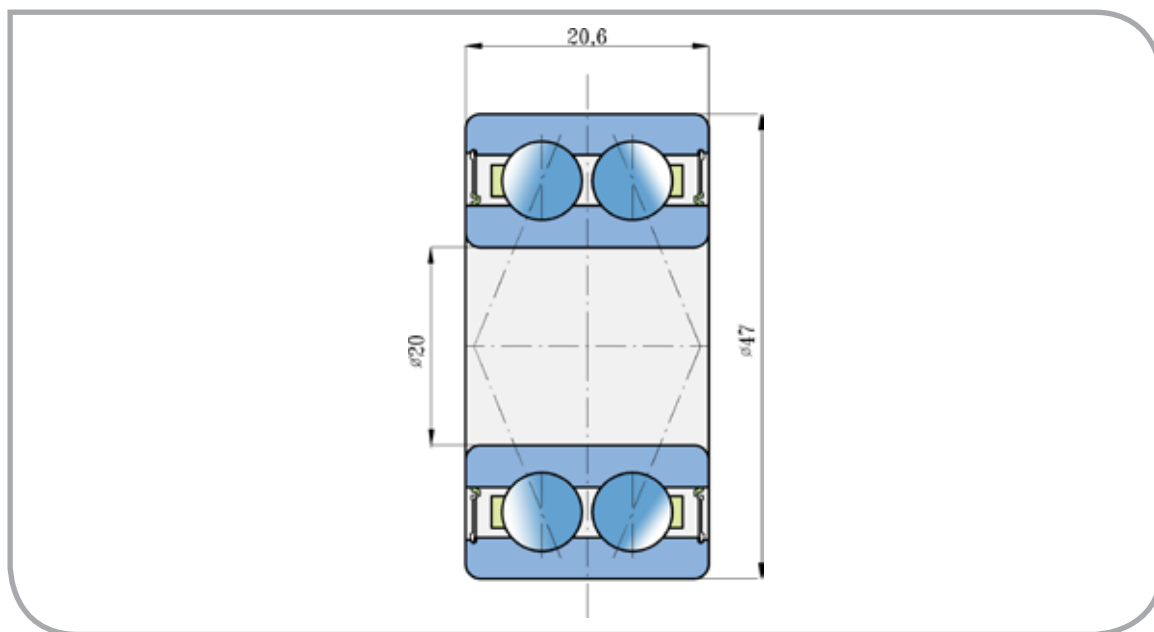
### 3204 B.2RS1



#### UPOREDNE OZNAKE

#### COMPARATIVE DESIGNATION

FKL	3204 B.2RS1
MONOSEM	7014A



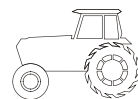
Osnovne mere/Dimensions (mm)

d	D	B	kg
20	47	20,6	0,16

Potencijalno mesto ugradnje i primena:  
Typical Applications:

Sejačice  
Seeding Machine

Ležajevi sejačice  
Seeding Machine Solutions



# Dvoredni kuglični ležaj sa kosim dodirom

## Double Row Angular Contact Ball Bearing

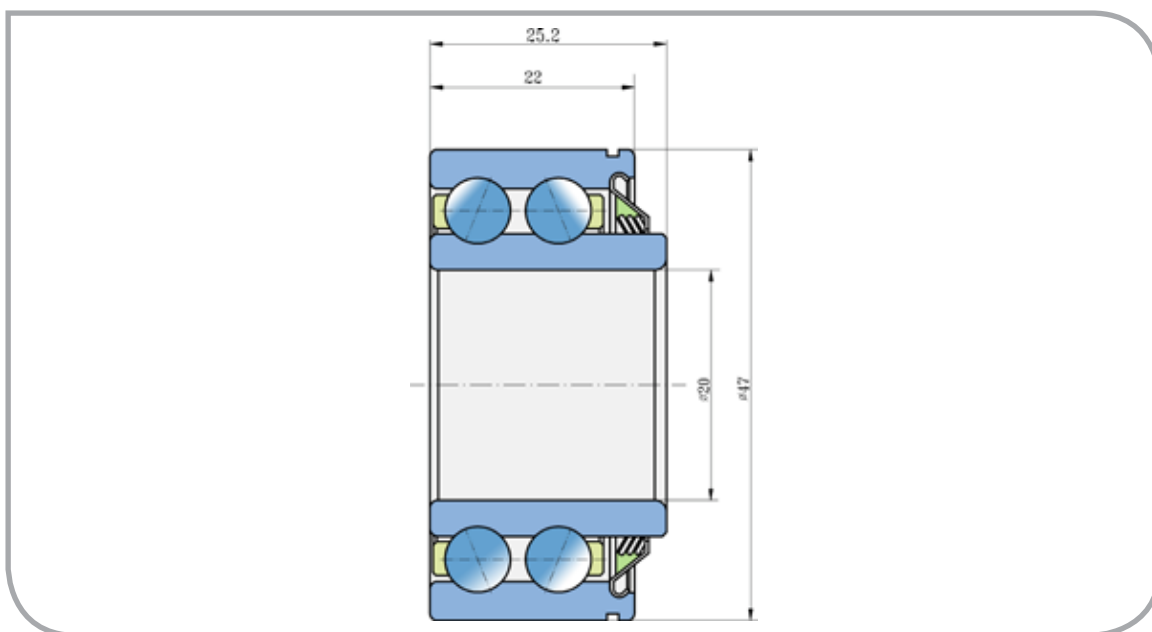
### 3204 T



#### UPOREDNE OZNAKE

#### COMPARATIVE DESIGNATION

<b>FKL</b>	<b>3204 T</b>
SEMEATO Brazil	F-110390



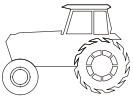
Osnovne mere/Dimensions (mm)

d	D	B	C	kg
20	47	25,2	22	0,185

Potencijalno mesto ugradnje i primena:  
Typical Applications:

Sejačice  
Seeding Machine

Ležajevi sejačice  
Seeding Machine Solutions



# Dvoredni kuglični ležaj sa kosim dodirom

## Double Row Angular Contact Ball Bearing

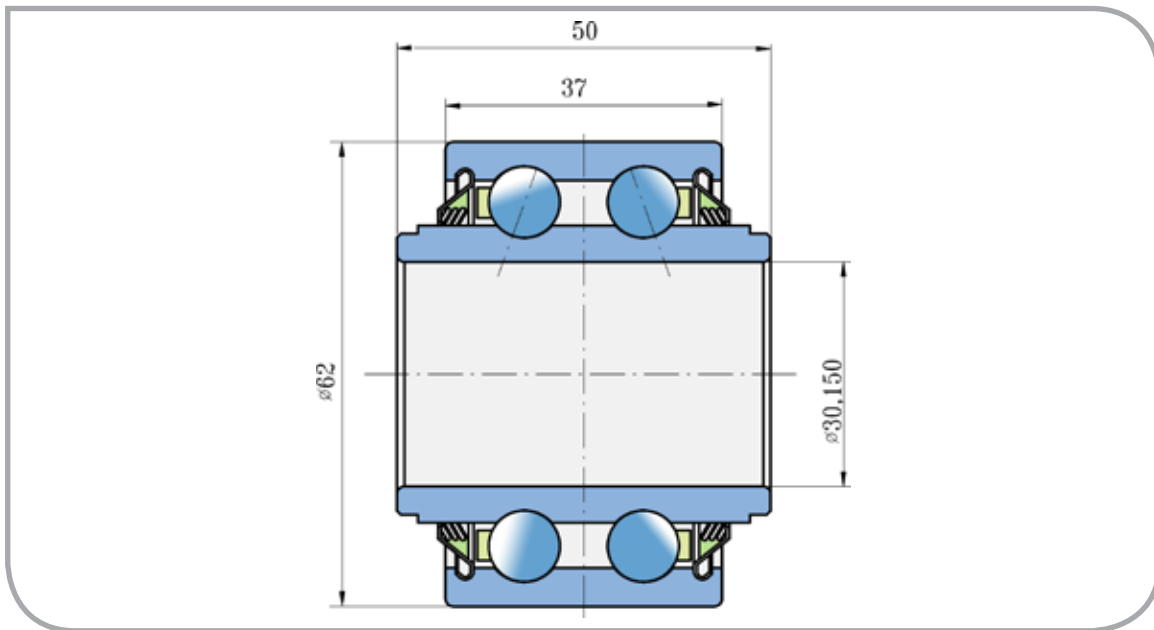
### 5206 KPP3



#### UPOREDNE OZNAKE

##### COMPARATIVE DESIGNATION

<b>FKL</b>	<b>5206 KPP3</b>
GREAT PLAINS	822-215C
KINZE	GA8603
	GA8641



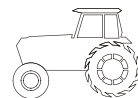
Osnovne mere/Dimensions (mm)

d	D	B	C	kg
30,150	62	50	37	0,500

Potencijalno mesto ugradnje i primena:  
Typical Applications:

Sejačice  
Seeding Machine

Ležajevi sejačice  
Seeding Machine Solutions



# Dvoredni kuglični ležaj sa kosim dodirom

## Double Row Angular Contact Ball Bearing

### SL 3303 2S

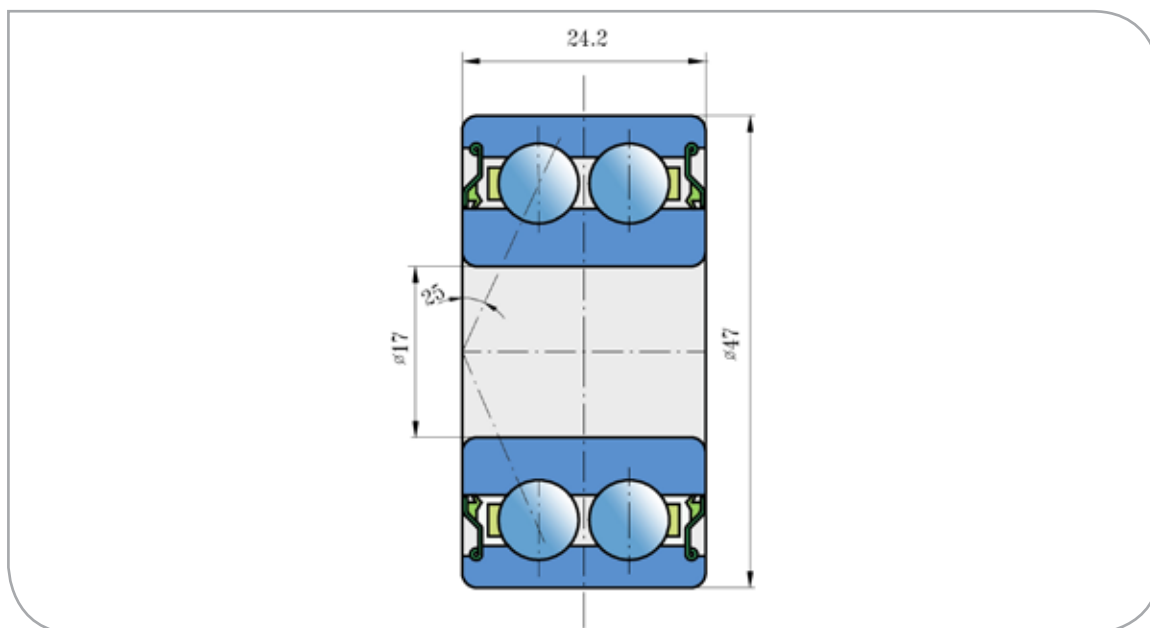


#### UPOREDNE OZNAKE

#### COMPARATIVE DESIGNATION

**FKL** **SL 3303 2S**

TEHNIKA-SERVICE, 3303 LLU-1  
Russia



Osnovne mere/Dimensions (mm)

d	D	B	kg
17	47	24,2	0,20

Potencijalno mesto ugradnje i primena:  
Typical Applications:

Sejačice  
Seeding Machine

Ležajevi sejačice  
Seeding Machine Solutions



# Dvoredni kuglični ležaj sa kosim dodirom

## Double Row Angular Contact Ball Bearing

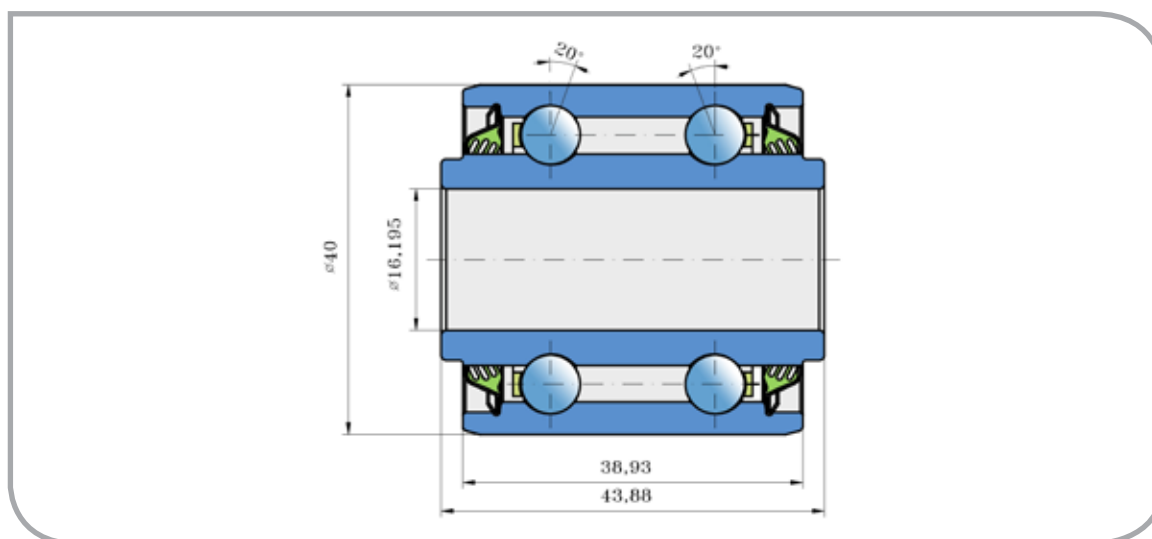
### SL 5203 2T



#### UPOREDNE OZNAKE

##### COMPARATIVE DESIGNATION

FKL	SL 5203 2T
	5203VVAN
	5203KYY2
	DAC164044-2RS
	5203BLL
WHITE	854003
MONOSEM	7140A
GREAT PLAINS	822-170C
CASE	324461A1
JOHN DEERE	AN212132
KINZE	GA6171
AMAZONE	Y00513900
KUHN	81101640
	DAC164044RSL
	2RSLCS16



Osnovne mere/Dimensions (mm)

d	D	B	C	kg
16,195	40	43,88	38,93	0,218

Potencijalno mesto ugradnje i primena:  
Typical Applications:

Sejačice  
Seeding Machine

Ležajevi sejačice  
Seeding Machine Solutions





# Dvoredni kuglični ležaj sa osovnicom

## Double Row Ball Bearing with Shaft

VP-M20x1.5/40/72-R (L)

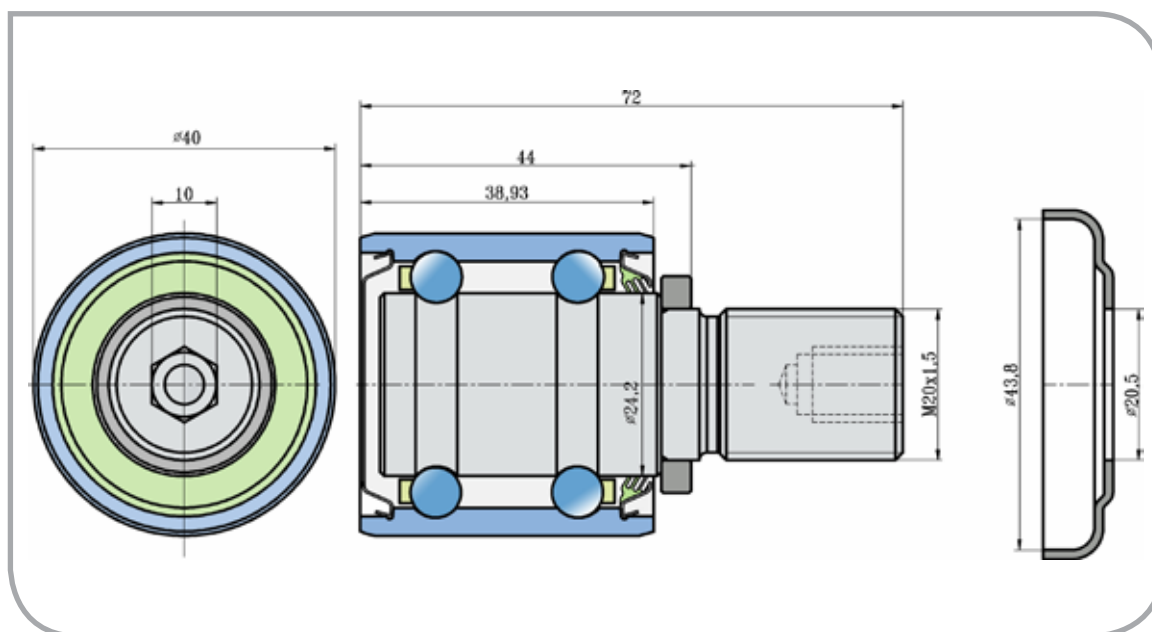


### UPOREDNE OZNAKE

#### COMPARATIVE DESIGNATION

FKL VP-M20x1.5/40/72-R (L)

TEHNIKA-SERVICE, Russia VP-M20x1.5/40/72-R (L)

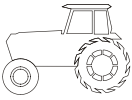


Osnovne mere/Dimensions (mm)

d	D	B	C	G	kg
24,2	40	72	38,93	M20x1.5	0,44

Potencijalno mesto ugradnje i primena:  
Typical Applications:

Sejačica  
Seeding Machine



# Kuglični ležaj sa dodirom u četiri tačke

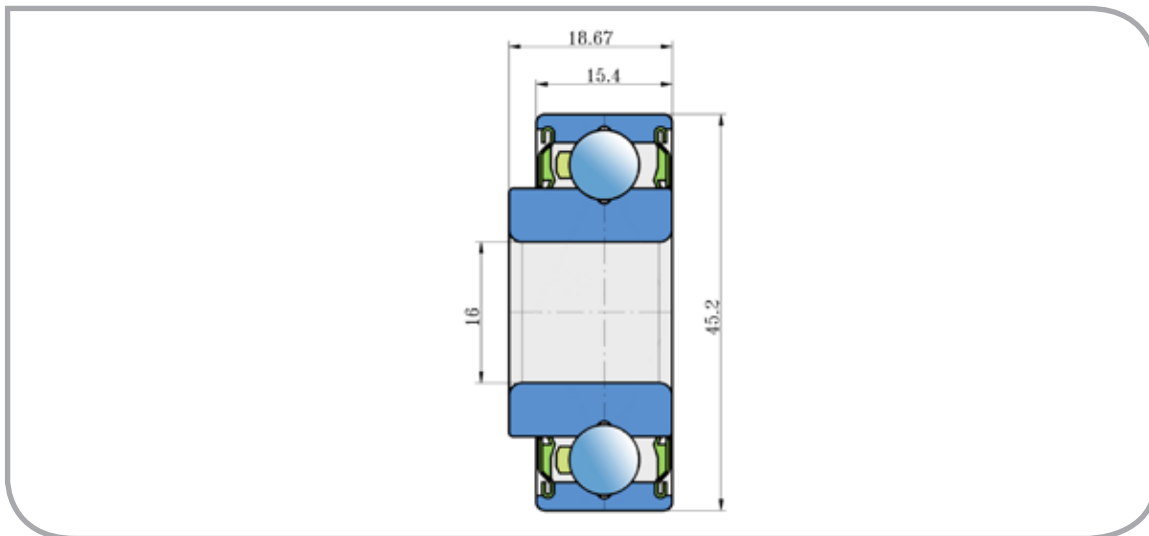
## Four Point Contact Ball Bearing

### 06C04-2Z



#### UPOREDNE OZNAKE COMPARATIVE DESIGNATION

<b>FKL</b>	<b>06C04-2Z</b>
PEER	204JY3
SMA	851-SMA204RY2
FITS TYPE	550-302
GREAT PLAINS	820-003C, 822-011C
JOHN DEERE	AA21480
KINZE	GA2014
USA NUMBER	204PY3
IHC	145161C91 1258017C91 492757R91 493532R91
HORSCH	00240199, 00310104
FAFNIR	204RY2



Osnovne mere/Dimensions (mm)

d	D	B	C	kg
16	45,2	18,67	15,4	0,23

Potencijalno mesto ugradnje i primena:  
Typical Applications:

Sejačice  
Seeding Machine

Ležajevi sejačice  
Seeding Machine Solutions



# Kuglični ležaj sa dodirom u četiri tačke

## Four Point Contact Ball Bearing

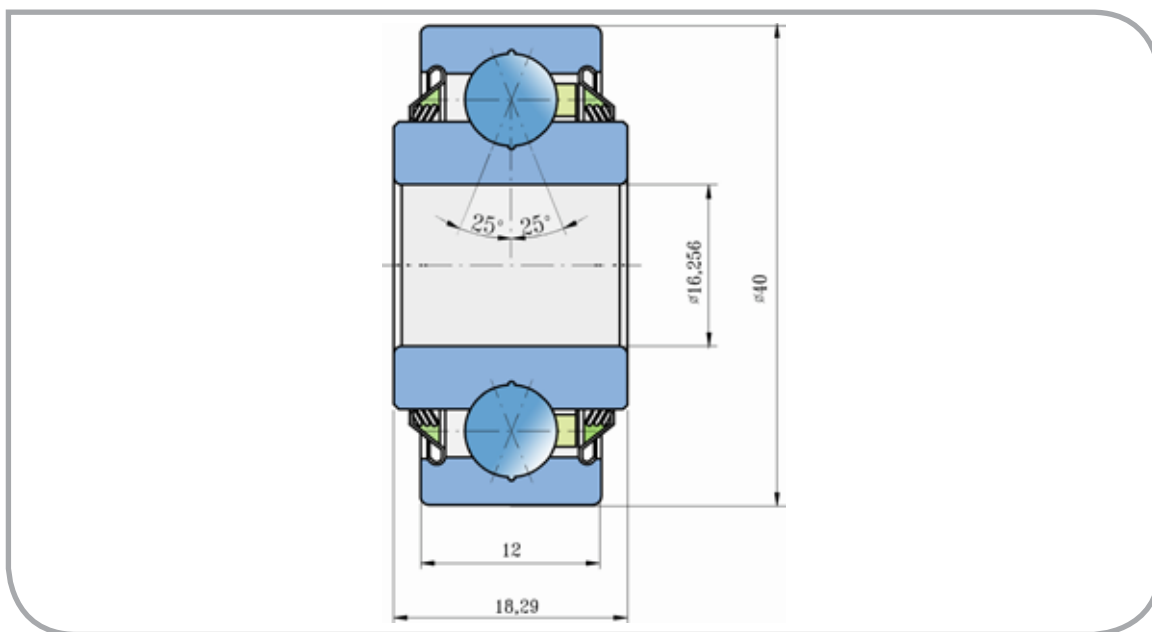
Q 203PP.AH02



### UPOREDNE OZNAKE

#### COMPARATIVE DESIGNATION

FKL	Q 203PP.AH02
JOHN DEERE	AA281357
	AH63076
	AH100425
	AN10097N
	AN141120
	AN142670
TIMKEN	BB203RR2
IHC	2149261C91, 666624R91
MF	832651M1



Osnovne mere/Dimensions (mm)

d	D	B	C	kg
16,256	40	18,29	12	0,08

Potencijalno mesto ugradnje i primena:  
Typical Applications:

Sejačice  
Seeding Machine

Ležajevi sejačice  
Seeding Machine Solutions



# Kuglični ležaj sa dodirom u četiri tačke

## Four Point Contact Ball Bearing

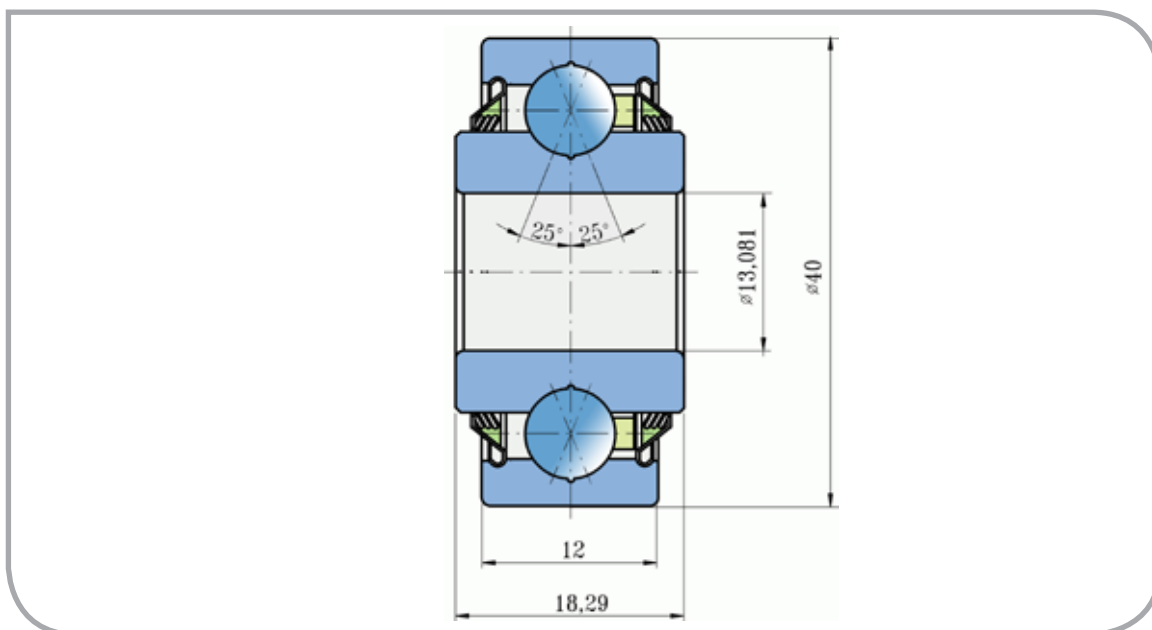
Q 203PP.AH05



### UPOREDNE OZNAKE

#### COMPARATIVE DESIGNATION

FKL	Q 203PP.AH05
TIMKEN	BB203KRR5
AMAZONE	CA095
LEMKEN	3199369



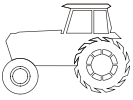
Osnovne mere/Dimensions (mm)

d	D	B	C	kg
13,081	40	18,29	12	0,091

Potencijalno mesto ugradnje i primena:  
Typical Applications:

Sejačice  
Seeding Machine

Ležajevi sejačice  
Seeding Machine Solutions



# Kuglični ležaj sa dodirom u četiri tačke

## Four Point Contact Ball Bearing

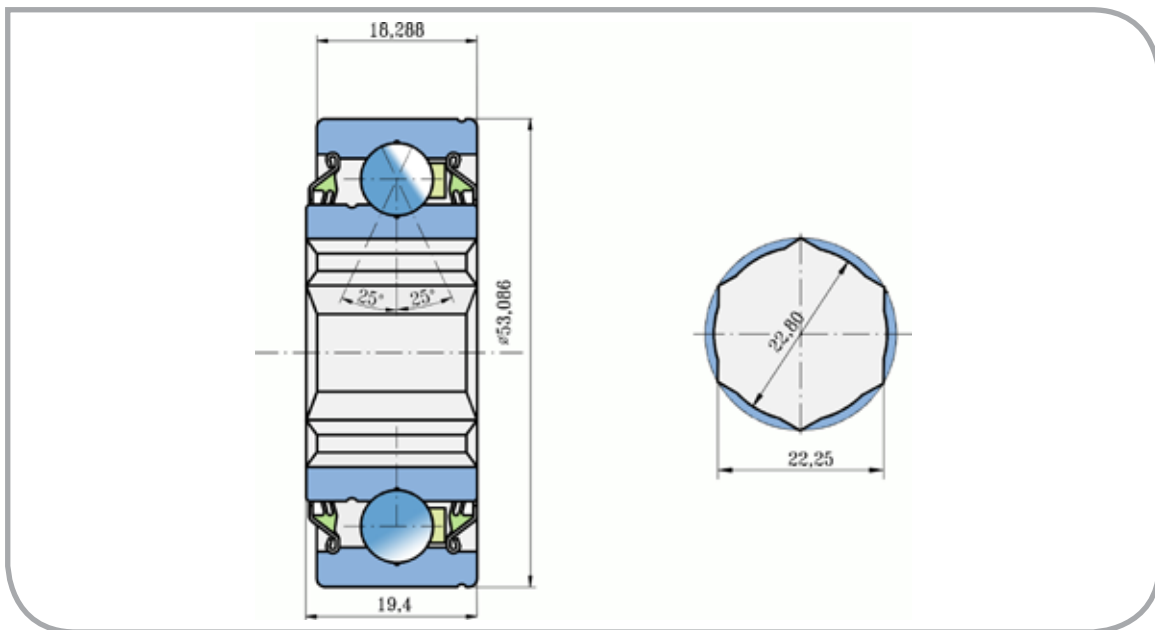
SL 53-014-2T

### UPOREDNE OZNAKE

#### COMPARATIVE DESIGNATION

FKL SL 53-014-2T

GREAT PLAINS 188-006V



Osnovne mere/Dimensions (mm)

a	D	B	C	kg
22,25	53,086	19,4	18,288	0,174

Potencijalno mesto ugradnje i primena:  
Typical Applications:

Sejačice  
Seeding Machine

Ležajevi sejačice  
Seeding Machine Solutions



# Kuglični ležaj sa dodirom u četiri tačke

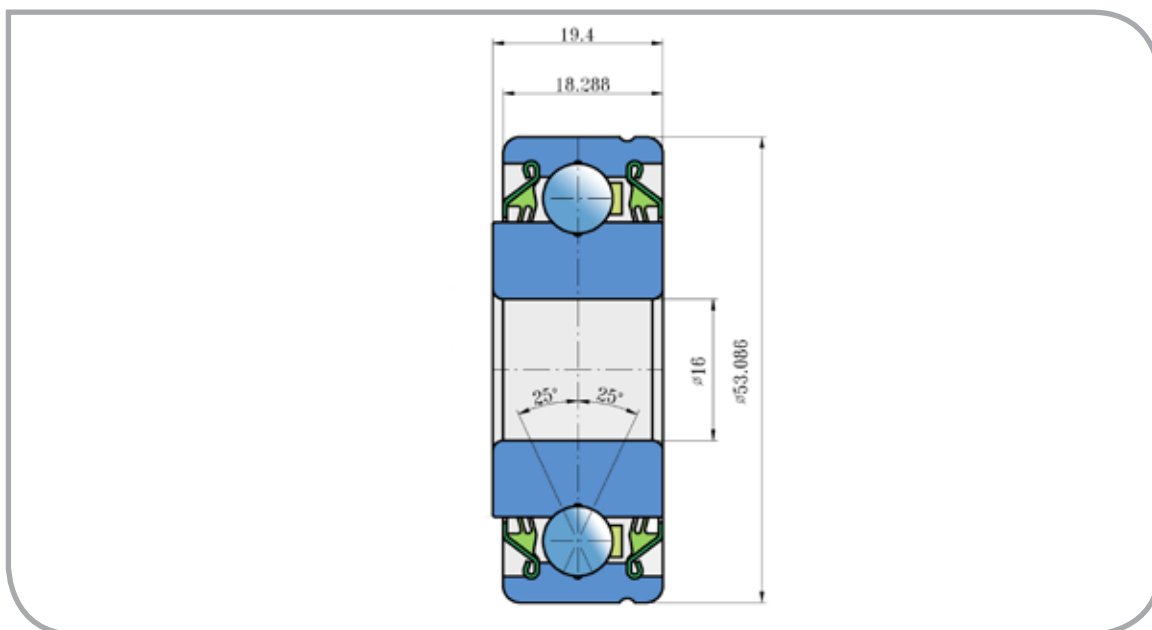
## Four Point Contact Ball Bearing

### SL 5316 2T



#### UPOREDNE OZNAKE COMPARATIVE DESIGNATION

FKL	SL 5316 2T
JOHN DEERE	AA205DD
	205VVH
GREAT PLAINS	188-001V
	205 GP



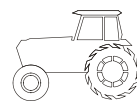
Osnovne mere/Dimensions (mm)

d	D	B	C	kg
16	53,086	19,4	18,288	0,28

Potencijalno mesto ugradnje i primena:  
Typical Applications:

Sejačice  
Seeding Machine

Ležajevi sejačice  
Seeding Machine Solutions



# Kuglični ležaj sa dodrom u četiri tačke

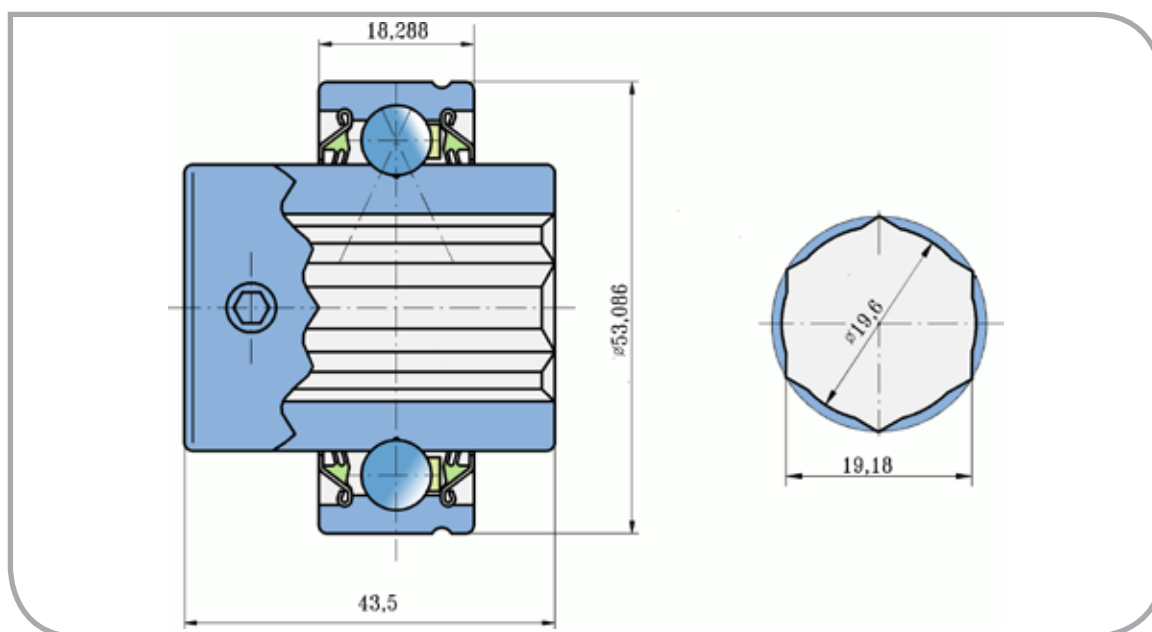
## Four Point Contact Ball Bearing

SLE 53-012-2T

### UPOREDNE OZNAKE

#### COMPARATIVE DESIGNATION

FKL	SLE 53-012-2T
GREAT PLAINS	188-009V



Osnovne mere/Dimensions (mm)

a	D	B	C	kg
19,18	53,086	43,5	18,288	0,299

Potencijalno mesto ugradnje i primena:  
Typical Applications:

Sejačice  
Seeding Machine

Ležajevi sejačice  
Seeding Machine Solutions



# Kuglični ležaj sa dodirom u četiri tačke

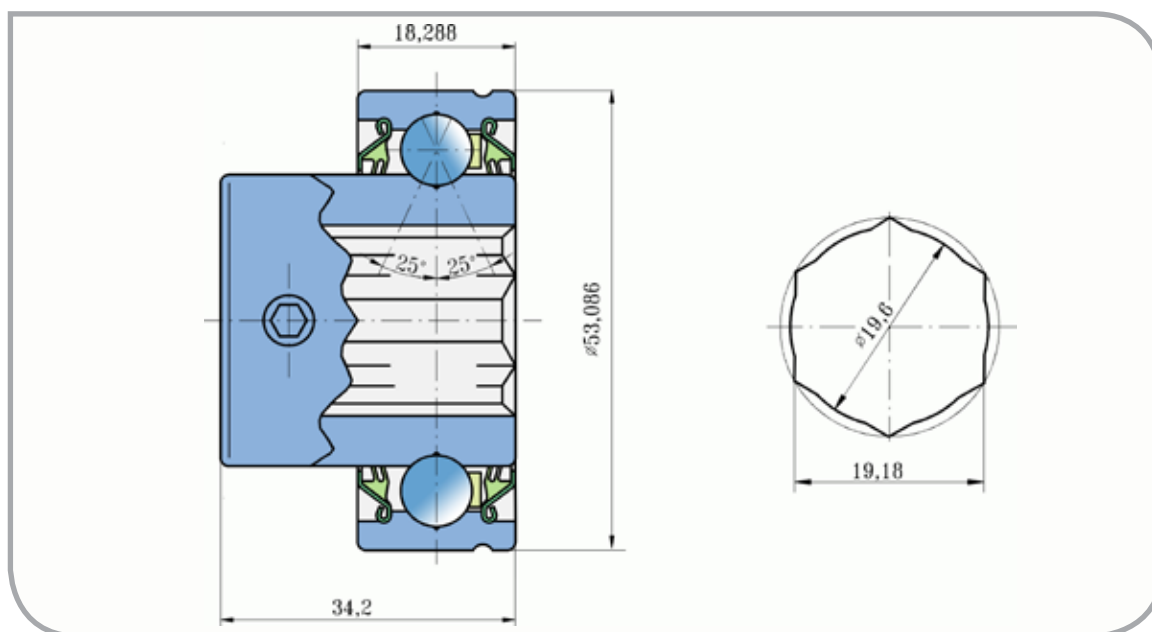
## Four Point Contact Ball Bearing

SLU 53-012-2T

### UPOREDNE OZNAKE

#### COMPARATIVE DESIGNATION

FKL	SLU 53-012-2T
GREAT PLAINS	188-004V



Osnovne mere/Dimensions (mm)

a	D	B	C	kg
19,18	53,086	34,2	18,288	0,257

Potencijalno mesto ugradnje i primena:  
Typical Applications:

Sejačice  
Seeding Machine

Ležajevi sejačice  
Seeding Machine Solutions





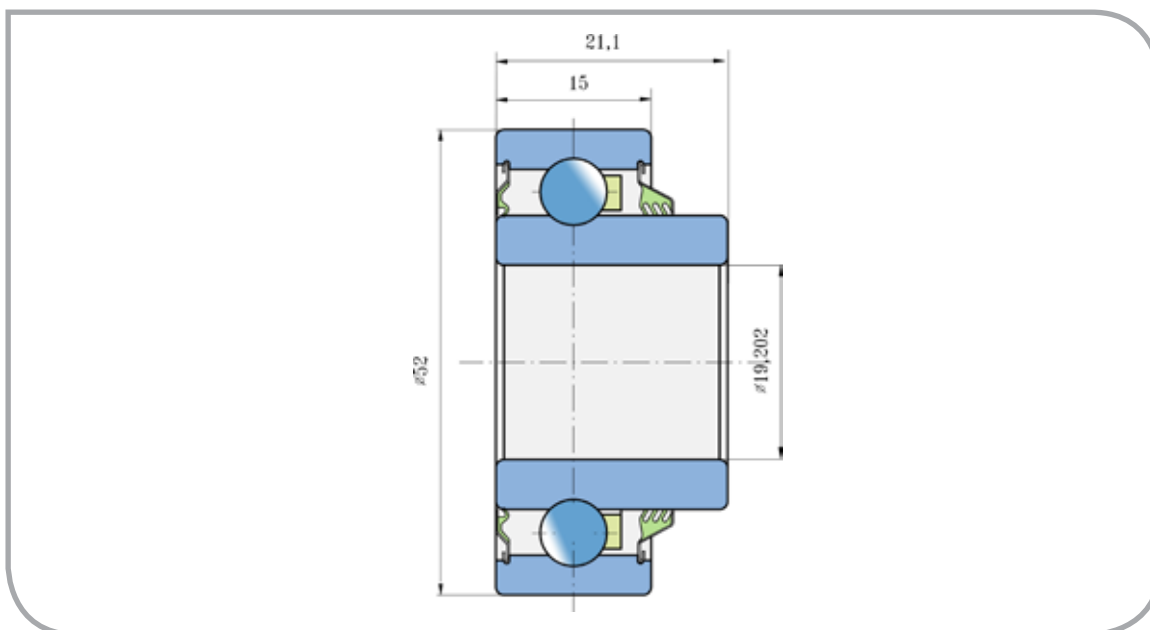
# Kuglični ležaj Ball Bearing

## 205KRP2



### UPOREDNE OZNAKE COMPARATIVE DESIGNATION

FKL	205KRP2
JOHN DEERE	A27002
	R702020
	SNDR30005



Osnovne mere/Dimensions (mm)

d	D	B	C	kg
19,202	52	21,1	15	0,28

Potencijalno mesto ugradnje i primena:  
Typical Applications:

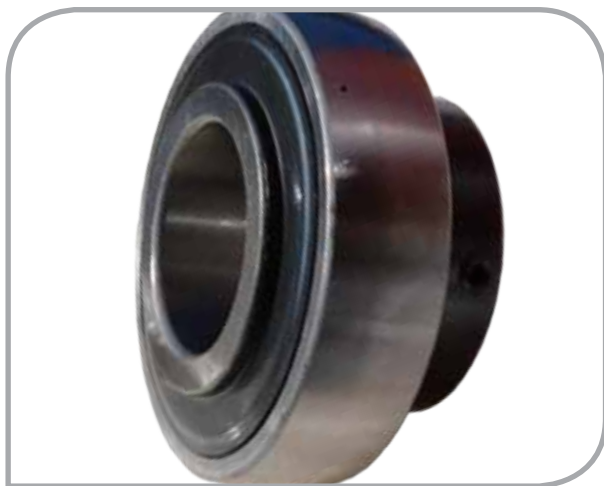
Sejačice  
Seeding Machine

Ležajevi sejačice  
Seeding Machine Solutions



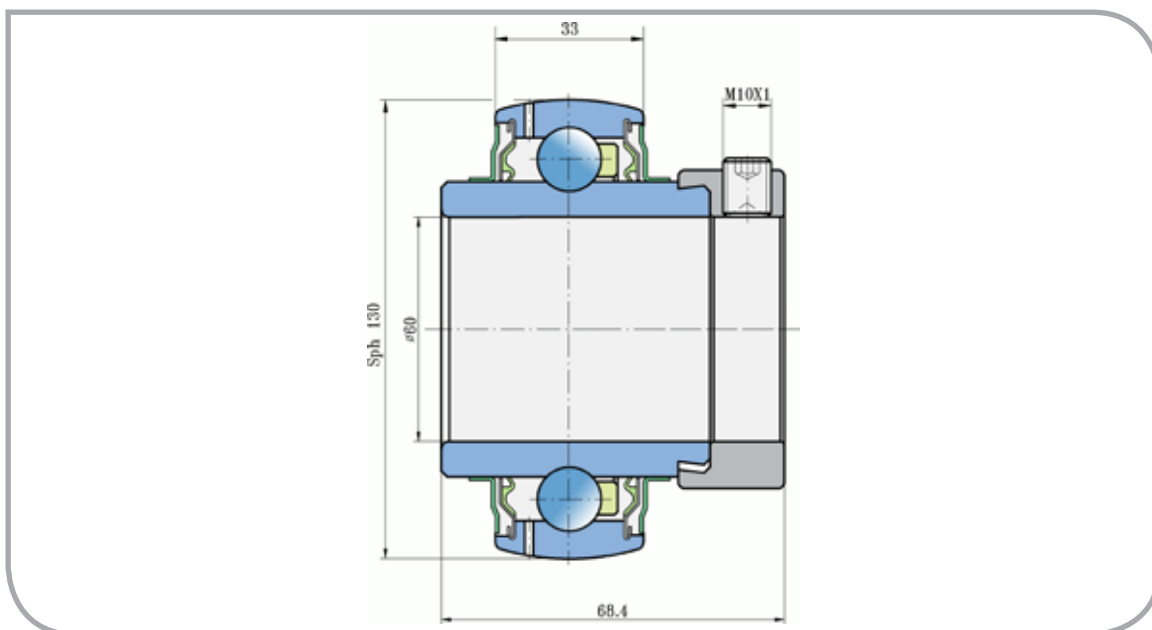
# Kuglični ležaj Ball Bearing

## LY 312 2F



### UPOREDNE OZNAKE COMPARATIVE DESIGNATION

FKL	LY 312 2F
	HC312
INA	GNE60KRRB
HORSCH	00240039



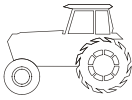
Osnovne mere/Dimensions (mm)

d	D	B	C	M	kg
60	130	68,4	33	10x1	2,97

Potencijalno mesto ugradnje i primena:  
Typical Applications:

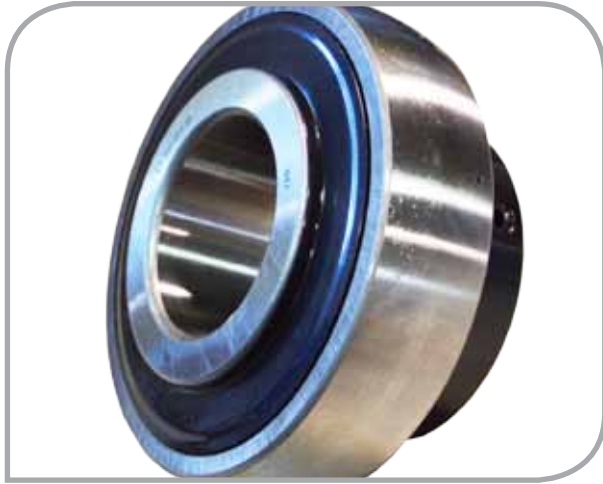
Sejačice  
Seeding Machine

Ležajevi sejačice  
Seeding Machine Solutions



# Kuglični ležaj Ball Bearing

LY 312-203 2F

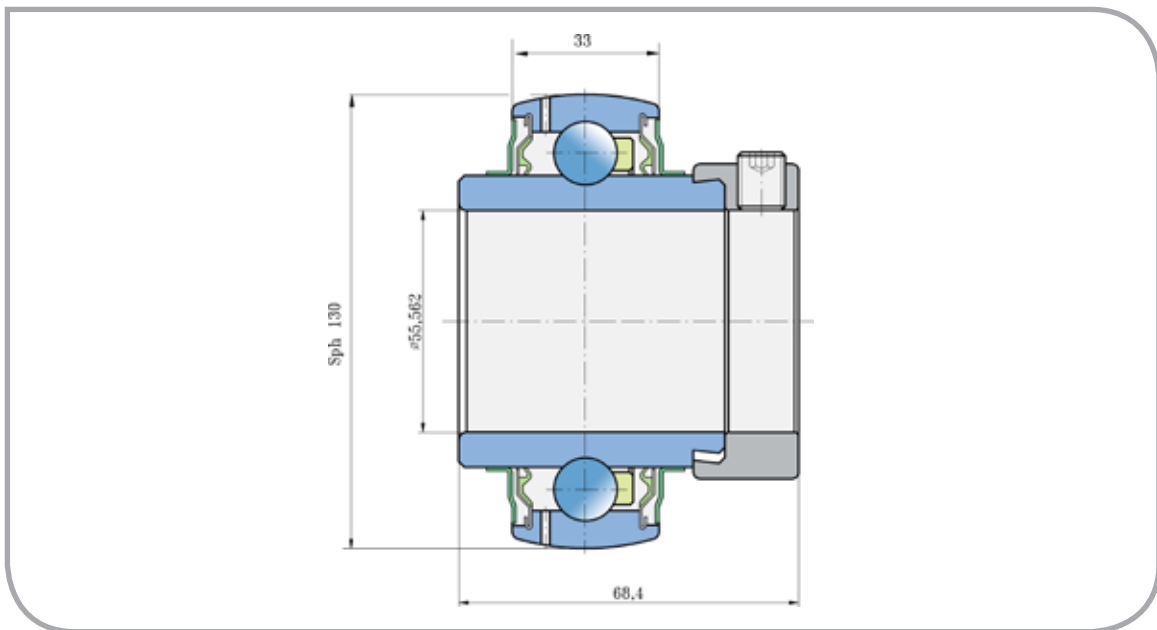


## UPOREDNE OZNAKE COMPARATIVE DESIGNATION

FKL LY 312-203 2F

SBX1218C3 L8

JOHN DEERE JD10017/JD8668



Osnovne mere/Dimensions (mm)

d	D	B	C	kg
55,562	130	68,4	33	2,97

Potencijalno mesto ugradnje i primena:  
Typical Applications:

Sejačice  
Seeding Machine

Ležajevi sejačice  
Seeding Machine Solutions

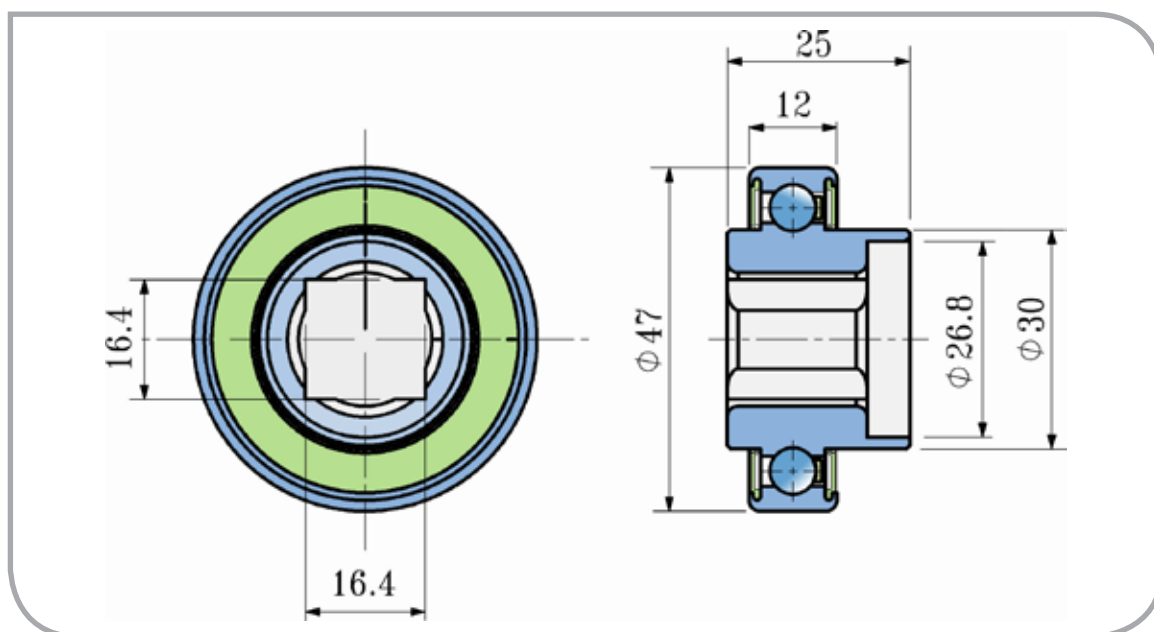
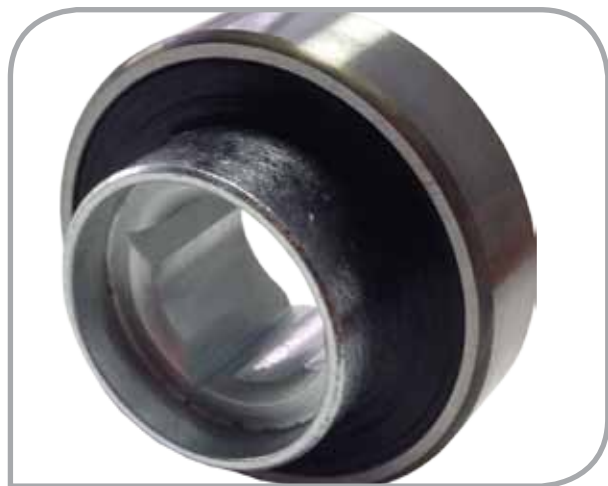


# Kuglični ležaj Ball Bearing

## SLE 47-16S-2RS

### UPOREDNE OZNAKE COMPARATIVE DESIGNATION

FKL	SLE 47-16S-2RS
GASPARDO	G14830390



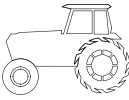
Osnovne mere/Dimensions (mm)

a	D	B	C	kg
16,4	47	25	12	0,11

Potencijalno mesto ugradnje i primena:  
Typical Applications:

Sejačice  
Seeding Machine

Ležajevi sejačice  
Seeding Machine Solutions



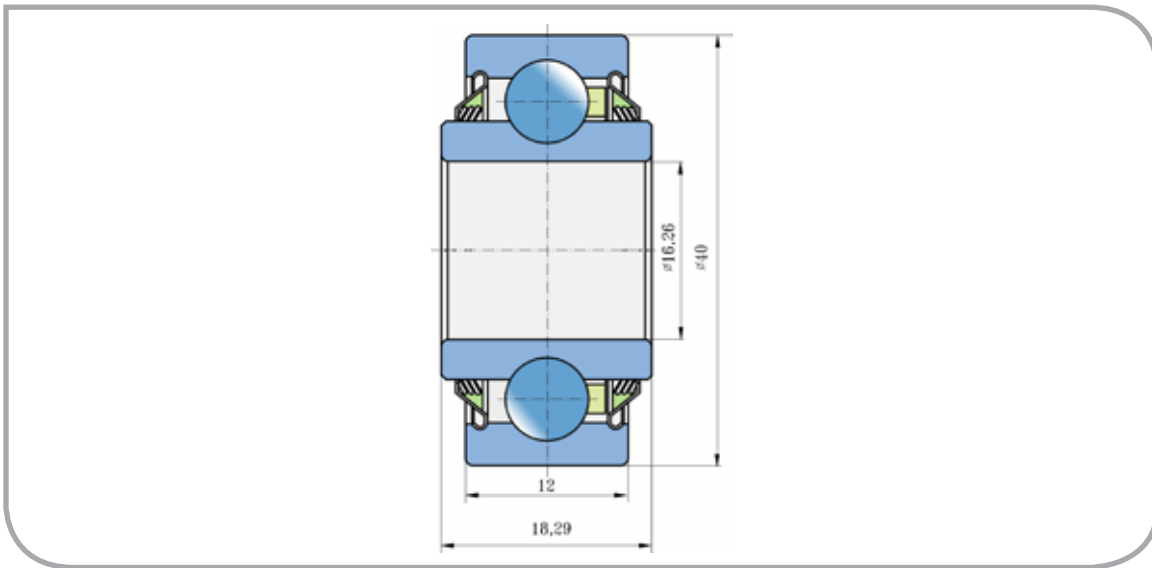
# Kuglični ležaj Ball Bearing

## 203KRR.AH02



### UPOREDNE OZNAKE COMPARATIVE DESIGNATION

FKL	203KRR.AH02
FAFNIR	203KRR2
JOHN DEERE	JD 9214, AN100425
NTN	23RRAR10
BCA	203RRAR10
IHC	666624R91
LINK-BELT	126115
CASE	F16246
FAG	518855
NEW HOLLAND	66553
FORD	222279
GEHL	520117



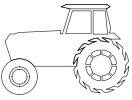
Osnovne mere/Dimensions (mm)

d	D	B	C	kg
16,26	40	18,29	12	0,09

Potencijalno mesto ugradnje i primena:  
Typical Applications:

Sejačice  
Seeding Machine

Ležajevi sejačice  
Seeding Machine Solutions



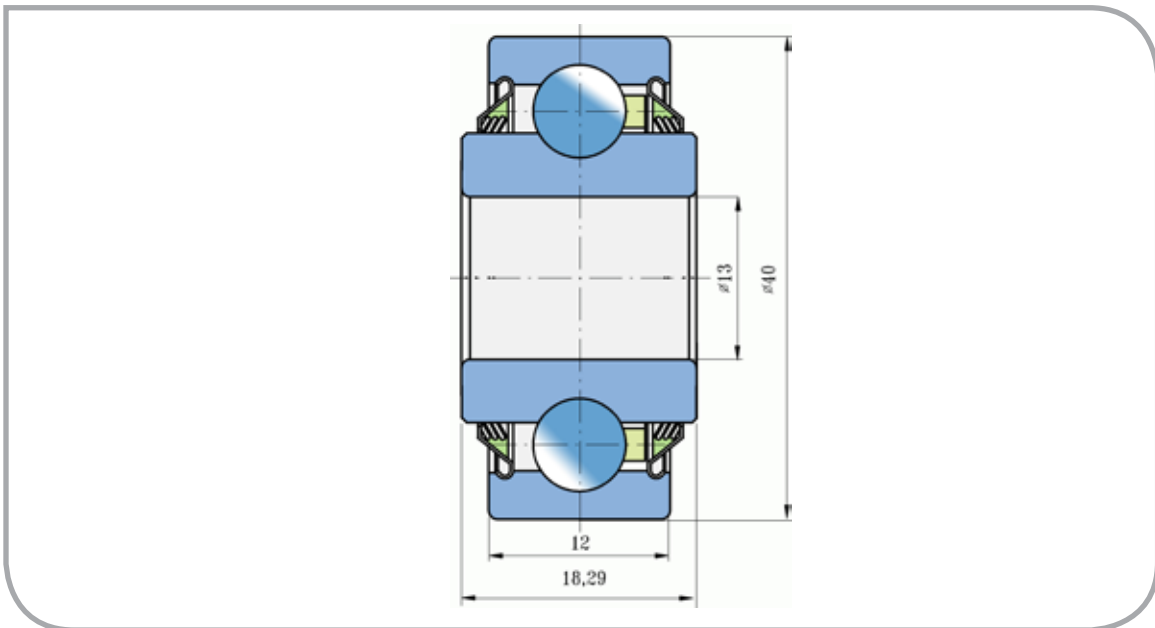
# Kuglični ležaj Ball Bearing

## 203KRR.AH05



### UPOREDNE OZNAKE COMPARATIVE DESIGNATION

<b>FKL</b>	<b>203KRR.AH05</b>
FAFNIR	203KRR5
JOHN DEERE	JD10008, JD9295
BCA	203RRAR8
IHC	611928R91, 107095C91
TYE	522-20SP
AC	562134
LEMKEN	3198563, 3198702



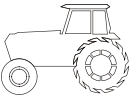
Osnovne mere/Dimensions (mm)

d	D	B	C	kg
13	40	18,29	12	0,09

Potencijalno mesto ugradnje i primena:  
Typical Applications:

Sejačice  
Seeding Machine

Ležajevi sejačice  
Seeding Machine Solutions



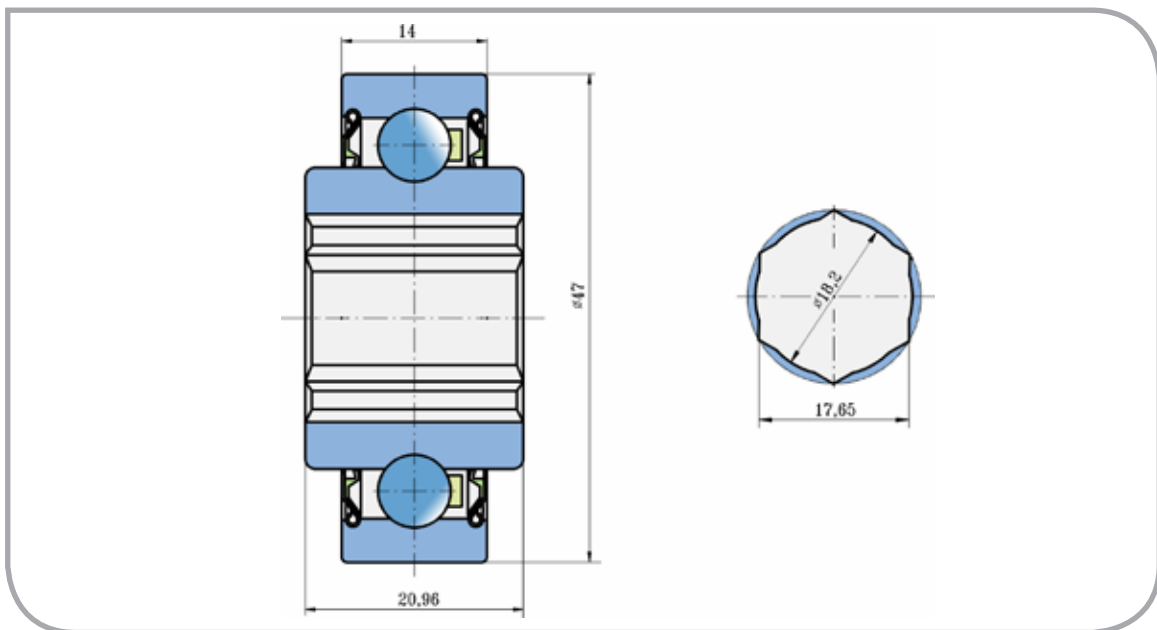
# Kuglični ležaj Ball Bearing

## 204KRR2



### UPOREDNE OZNAKE COMPARATIVE DESIGNATION

FKL	204KRR2
FAFNIR	AH107148
JOHN DEERE	JD7126
	1AH01-11/16
	11KB204N
LAND PRIDE	822-173C
	HPC011GP



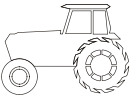
Osnovne mere/Dimensions (mm)

a	D	B	C	kg
17,65	47	20,96	14	0,145

Potencijalno mesto ugradnje i primena:  
Typical Applications:

Sejačice  
Seeding Machine

Ležajevi sejačice  
Seeding Machine Solutions



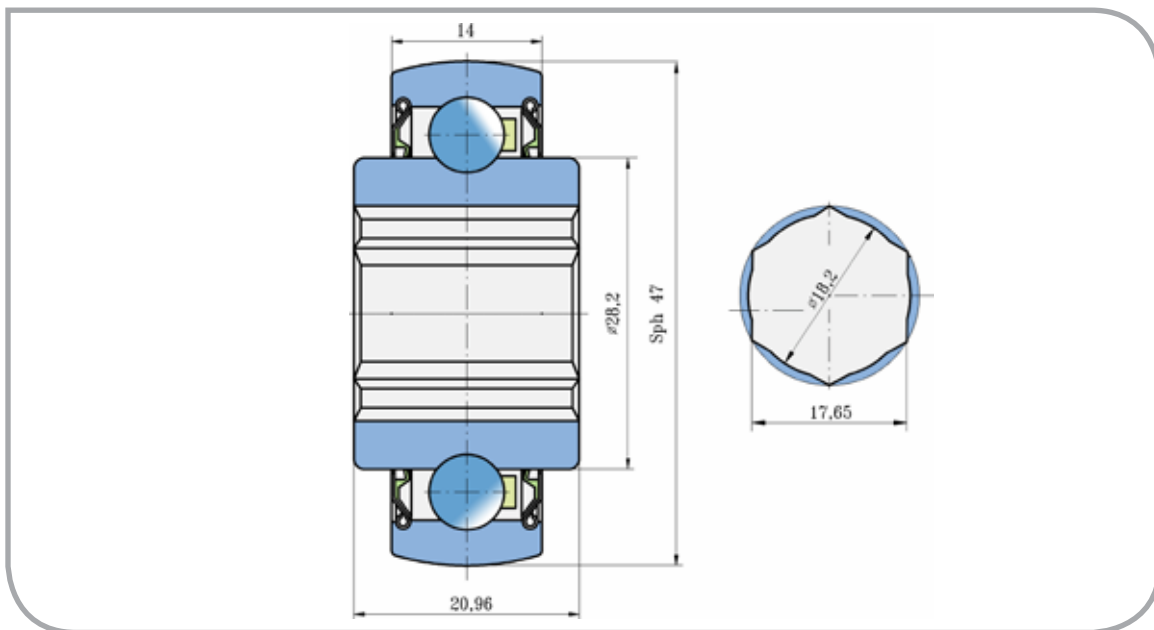
# Kuglični ležaj Ball Bearing

## 204KRRB2



### UPOREDNE OZNAKE COMPARATIVE DESIGNATION

FKL	204KRRB2
GREAT PLAINS	822-173C
	A-HPS011GP
	11K204N



Osnovne mere/Dimensions (mm)

a	D	B	C	kg
17,65	47	20,96	14	0,145

Potencijalno mesto ugradnje i primena:  
Typical Applications:

Sejačice  
Seeding Machine

Ležajevi sejačice  
Seeding Machine Solutions



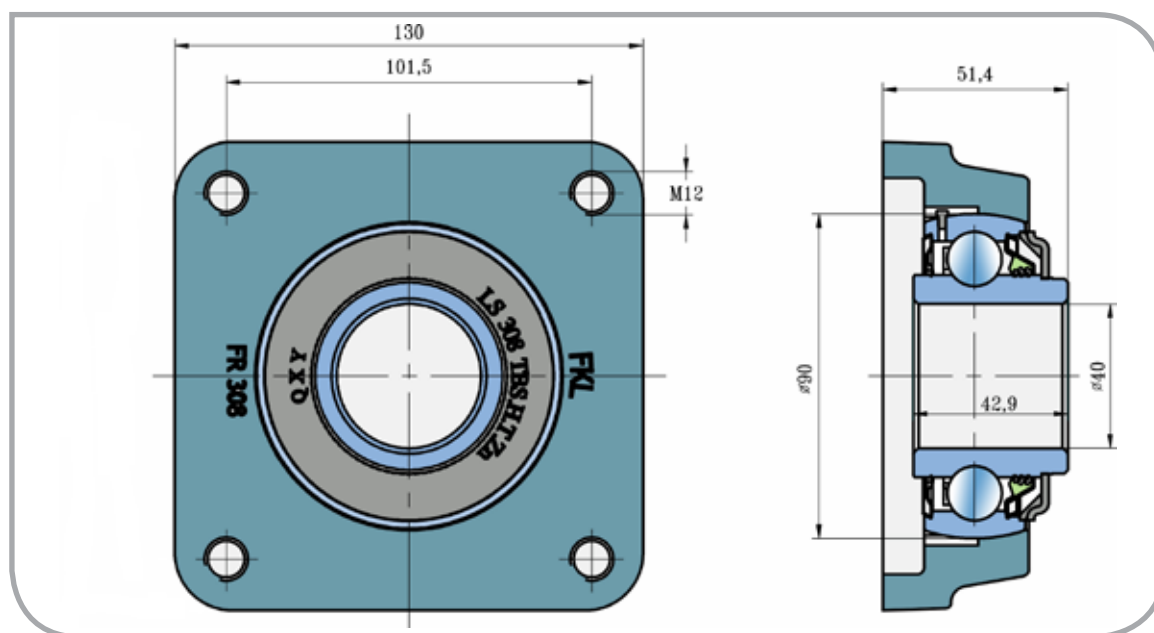
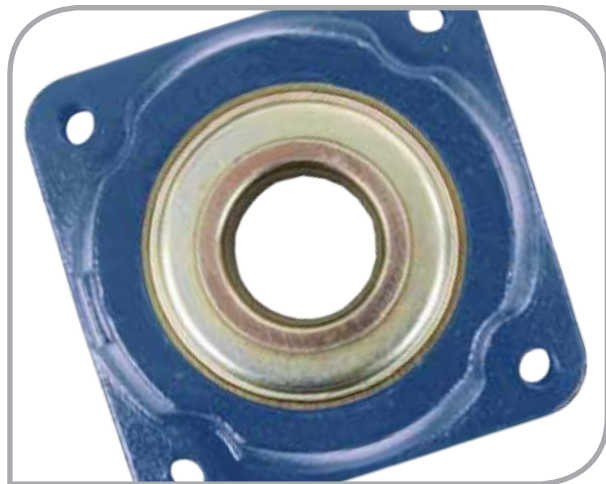


# Ležajna jedinica Bearing Unit

LSFR 308 TBT.H.T.Zn

## UPOREDNE OZNAKE COMPARATIVE DESIGNATION

FKL	LSFR 308 TBT.H.T.Zn
AMAZONE	CE066



Osnovne mere/Dimensions (mm)

d	L	J	M	B	C	kg
40	130	101,5	M12	51,4	42,9	2,4

Potencijalno mesto ugradnje i primena:  
Typical Applications:

Za valjke  
For Packer Rollers

Ležajevi valjaka  
Packer Rollers Solutions



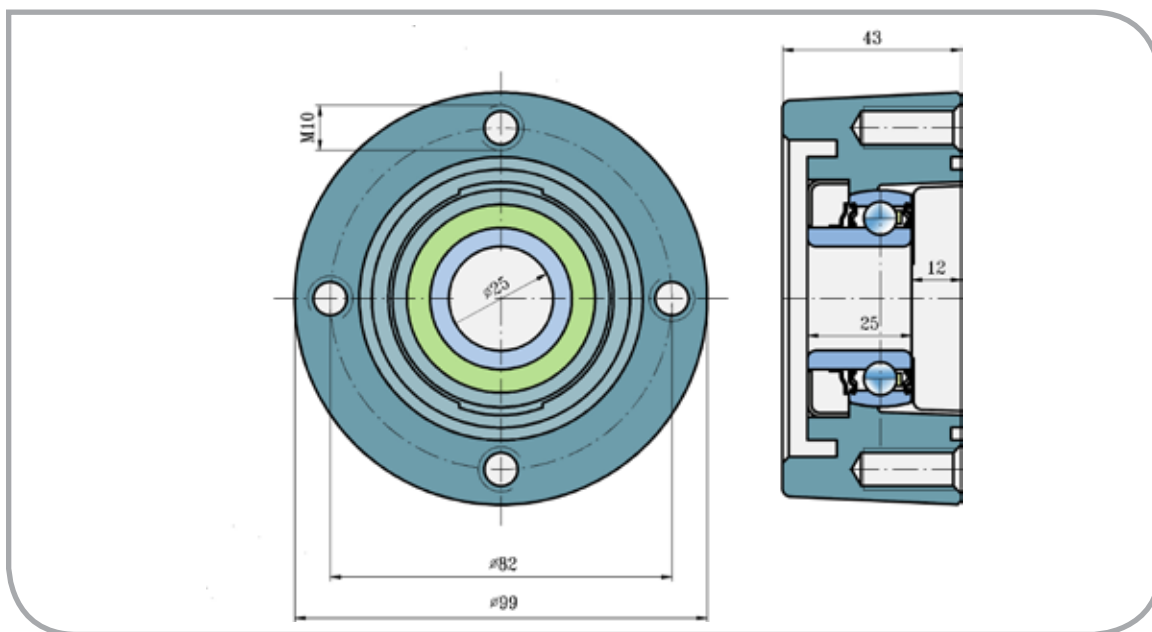
# Ležajna jedinica Bearing Unit

## LSGR 205 FS



### UPOREDNE OZNAKE COMPARATIVE DESIGNATION

FKL	LSGR 205 FS
LEMKEN	3199371
	F-239975-0200
	PN 00029
	RCJT 25x400x43 GGG



Osnovne mere/Dimensions (mm)

d	L	J	B	C	M	kg
25	99	82	43	25	10	1,55

Potencijalno mesto ugradnje i primena:  
Typical Applications:

Za valjke  
For Packer Rollers

Ležajevi valjaka  
Packer Rollers Solutions



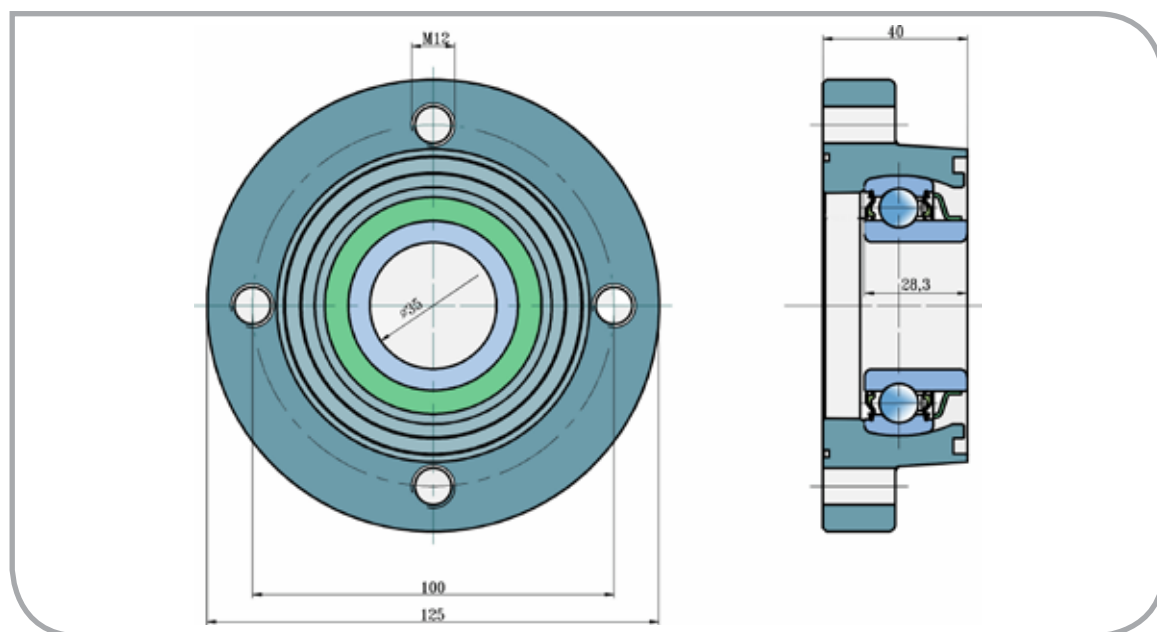
# Ležajna jedinica Bearing Unit

## LSGR 207 TBS



### UPOREDNE OZNAKE COMPARATIVE DESIGNATION

FKL	LSGR 207 TBS
	F-232812-0200
LEMKEN	3199372
	PN 00032RCJ
INA	RCJ 35x118x39.9



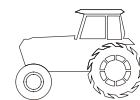
Osnovne mere/Dimensions (mm)

d	L	J	B	C	M	kg
35	125	100	40	28,3	12	1,700

Potencijalno mesto ugradnje i primena:  
Typical Applications:

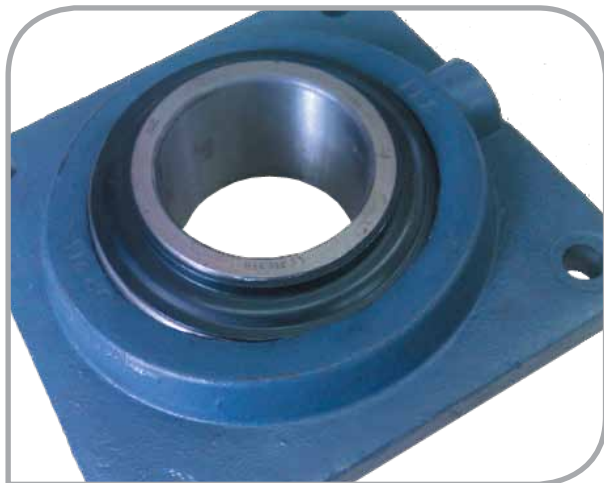
Za valjke  
For Packer Rollers

Ležajevi valjaka  
Packer Rollers Solutions



# Ležajna jedinica Bearing Unit

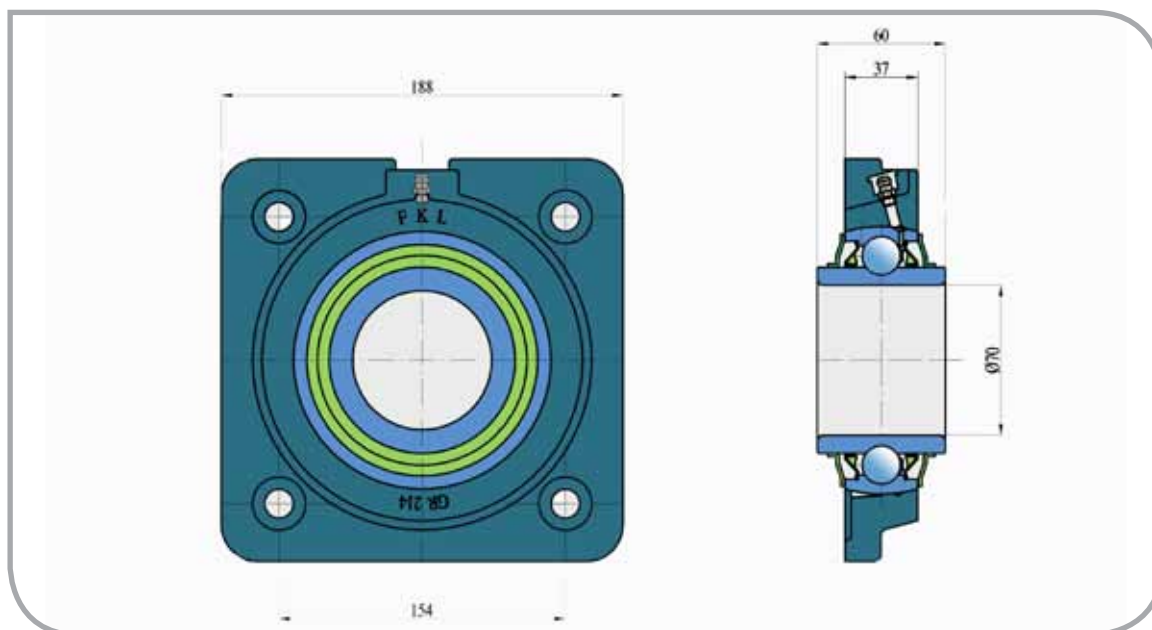
## LSGR 214 2TB



### UPOREDNE OZNAKE COMPARATIVE DESIGNATION

FKL	LSGR 214 2TB
BELAGROMASHSERVIS, Russia	LST 214

Ležajevi valjaka  
Packer Rollers Solutions

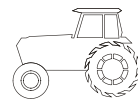


Osnovne mere/Dimensions (mm)

d	L	J	B	C	kg
70	188	154	60	37	5,6

Potencijalno mesto ugradnje i primena:  
Typical Applications:

Za valjke  
For Packer Rollers



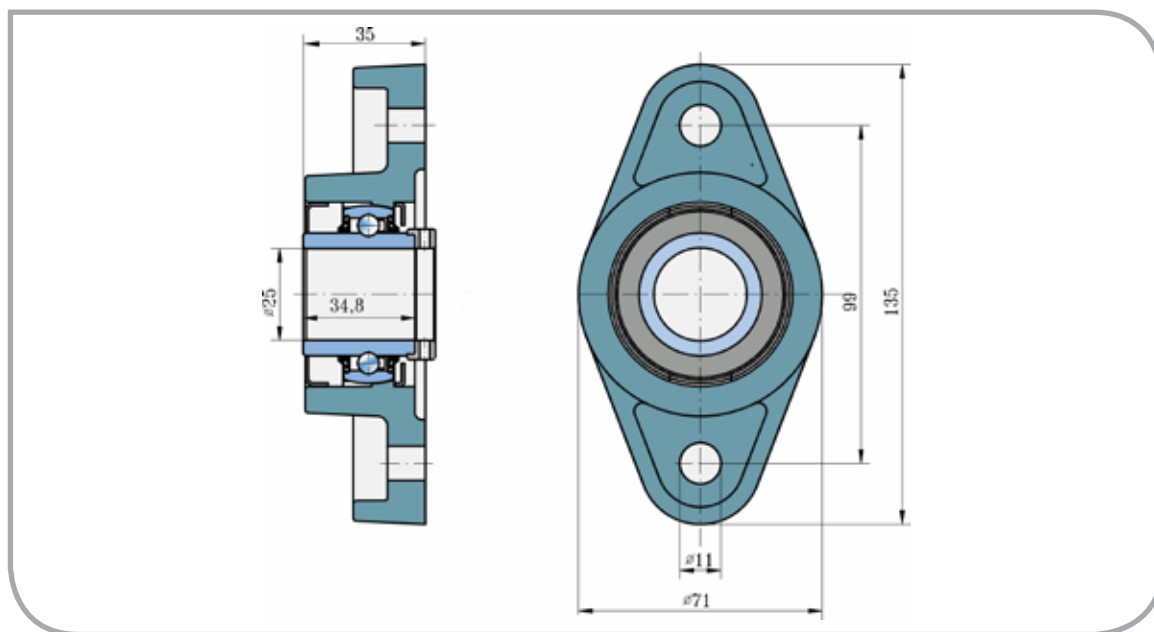
# Ležajna jedinica Bearing Unit

LSNR 205 2T

## UPOREDNE OZNAKE COMPARATIVE DESIGNATION

FKL LSNR 205 2T

LEMKEN 3199367



Osnovne mere/Dimensions (mm)

d	L	J	B	C	N	kg
25	135	99	35	34,8	11	0,91

Potencijalno mesto ugradnje i primena:  
Typical Applications:

Za valjke  
For Packer Rollers

Ležajevi valjaka  
Packer Rollers Solutions



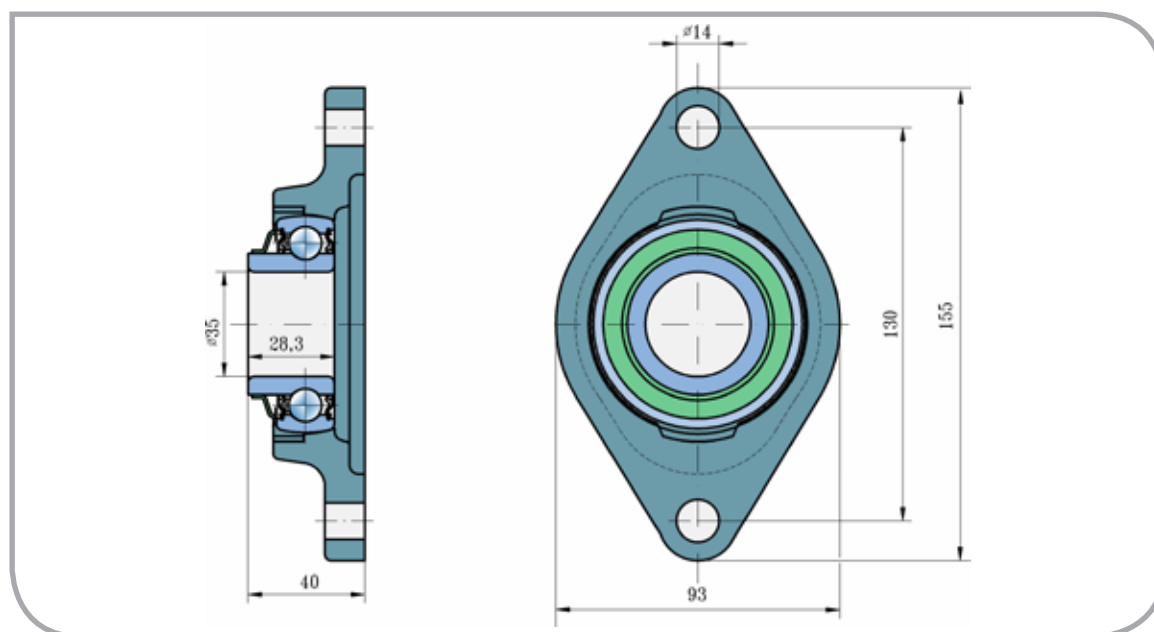
# Ležajna jedinica Bearing Unit

## LSNR 207 TBS

### UPOREDNE OZNAKE COMPARATIVE DESIGNATION

FKL LSNR 207 TBS

LEMKEN 3199352



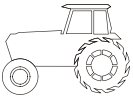
Osnovne mere/Dimensions (mm)

d	L	J	B	C	N	kg
35	155	130	40	28,3	14	1,05

Potencijalno mesto ugradnje i primena:  
Typical Applications:

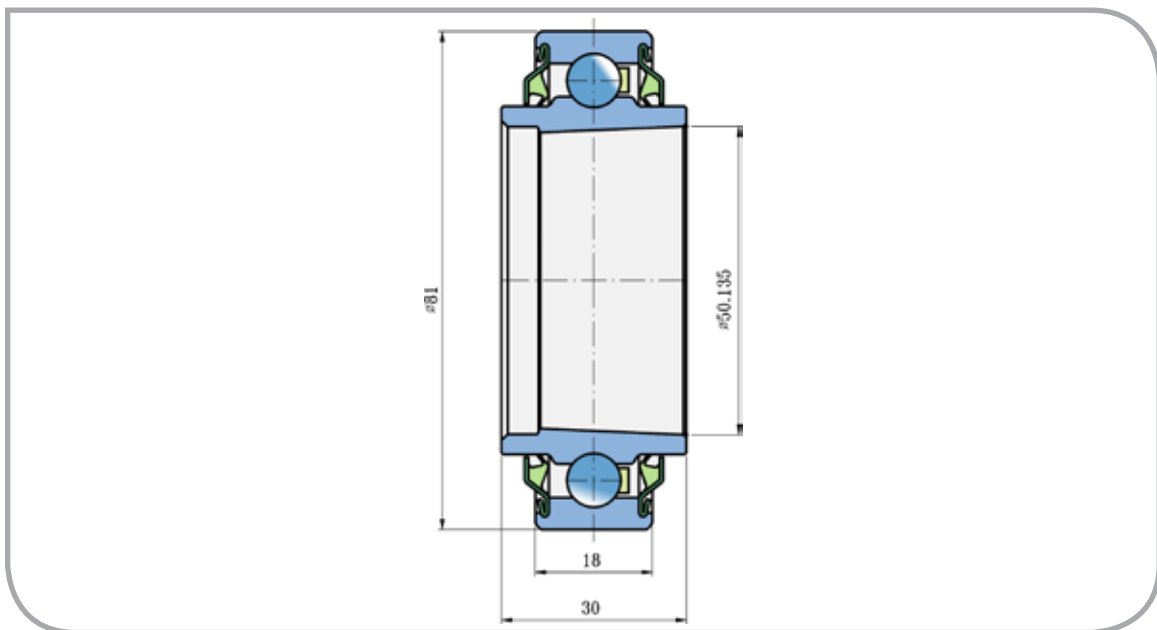
Za valjke  
For Packer Rollers

Ležajevi valjaka  
Packer Rollers Solutions



# Kuglični ležaj Ball Bearing

209 KRR K/50.135



Osnovne mere/Dimensions (mm)

d	D	B	C	kg
50,135	81	30	18	0,42

Potencijalno mesto ugradnje i primena:  
Typical Applications:

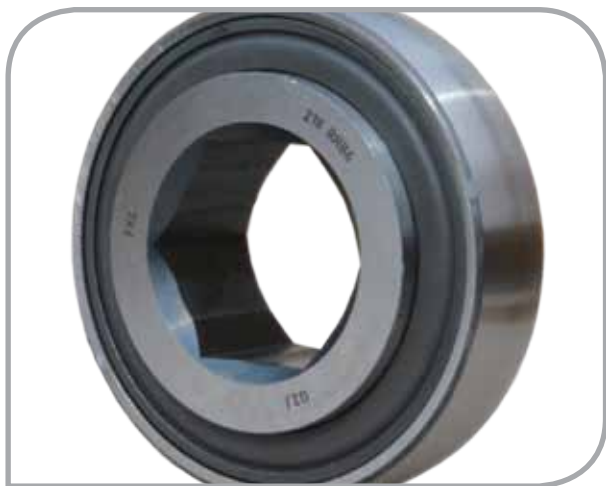
Kombajn  
Combine

Ležajevi kombajna  
Combine Solutions



# Kuglični ležaj Ball Bearing

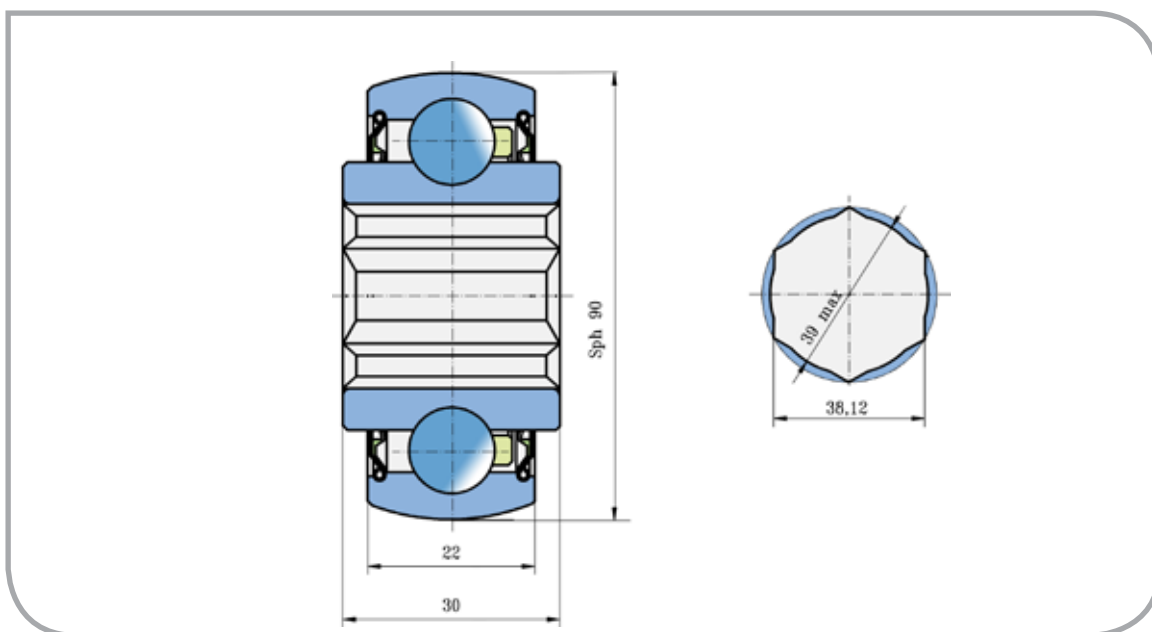
## 210RRB6



### UPOREDNE OZNAKE COMPARATIVE DESIGNATION

FKL	210RRB6
JOHN DEERE	AE42880
BCA	HPS108GPB-I
PEER	G210KPPB2

Ležajevi kombajna  
Combine Solutions



Osnovne mere/Dimensions (mm)

a	D	B	C	kg
38,12	90	30	22	0,80

Potencijalno mesto ugradnje i primena:  
Typical Applications:

Kombajn  
Combine





# Kuglični ležaj Ball Bearing

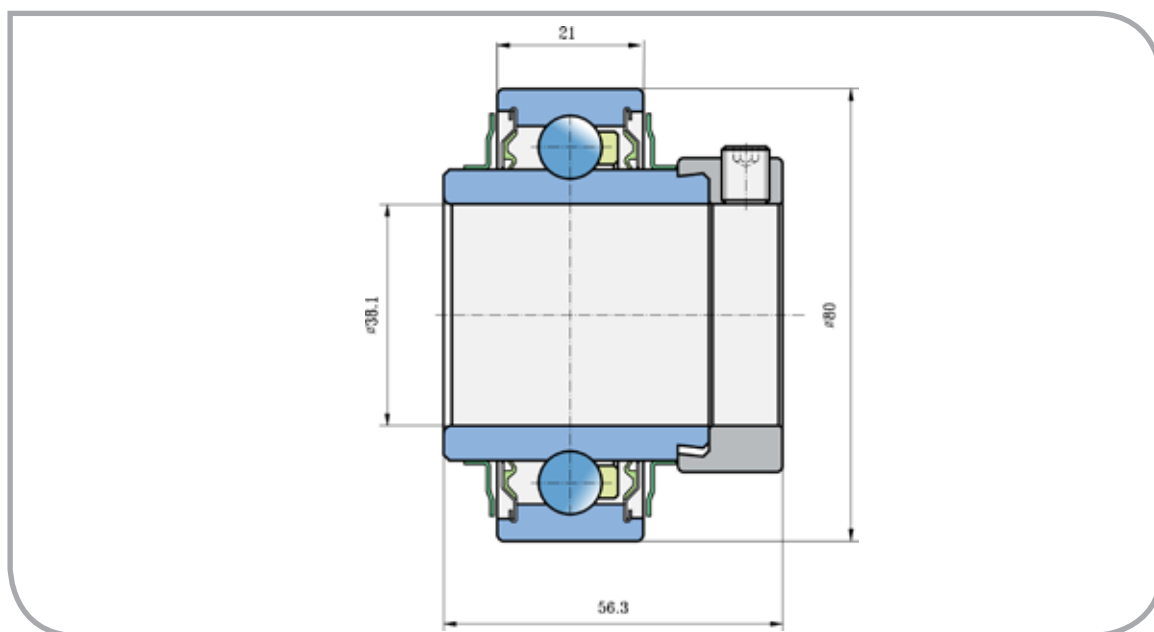
LY 208-108 2F.SH



## UPOREDNE OZNAKE COMPARATIVE DESIGNATION

FKL	LY 208-108 2F.SH
JOHN DEERE	AE48913
	1108KRR
	DR30022

Ležajevi kombajna  
Combine Solutions

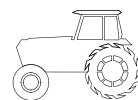


Osnovne mere/Dimensions (mm)

d	D	B	C	kg
38,1	80	56,3	21	0,8

Potencijalno mesto ugradnje i primena:  
Typical Applications:

Kombajn  
Combine



# Kuglični ležaj Ball Bearing

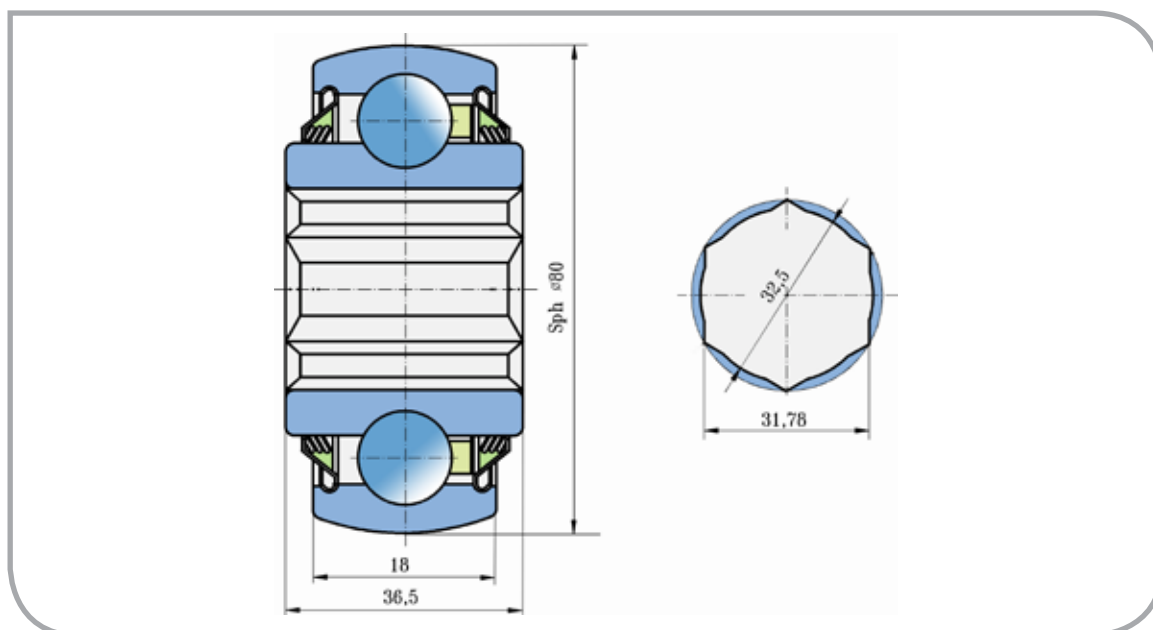
## W 208PPB16



### UPOREDNE OZNAKE COMPARATIVE DESIGNATION

<b>FKL</b>	<b>W 208PPB16</b>
JOHN DEERE	AE46606
	9373

Ležajevi kombajna  
Combine Solutions



Osnovne mere/Dimensions (mm)

a	D	B	C	kg
31,78	80	36,5	18	0,67

Potencijalno mesto ugradnje i primena:  
Typical Applications:

Kombajn  
Combine



# Kuglični ležaj Ball Bearing

## W 208PP16



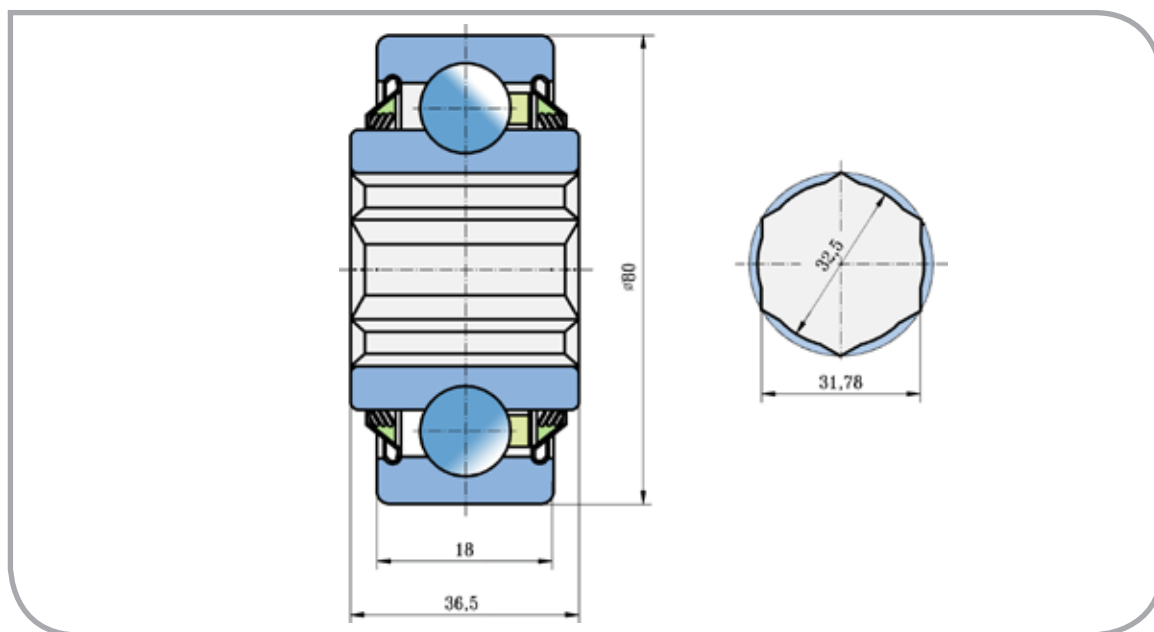
### UPOREDNE OZNAKE COMPARATIVE DESIGNATION

**FKL**                      **W 208PP16**

JOHN DEERE    JD9373

AE46606

Ležajevi kombajna  
Combine Solutions



Osnovne mere/Dimensions (mm)

a	D	B	C	kg
31,78	80	36,5	18	0,67

Potencijalno mesto ugradnje i primena:  
Typical Applications:

Kombajn  
Combine



# Ležajna jedinica Bearing Unit

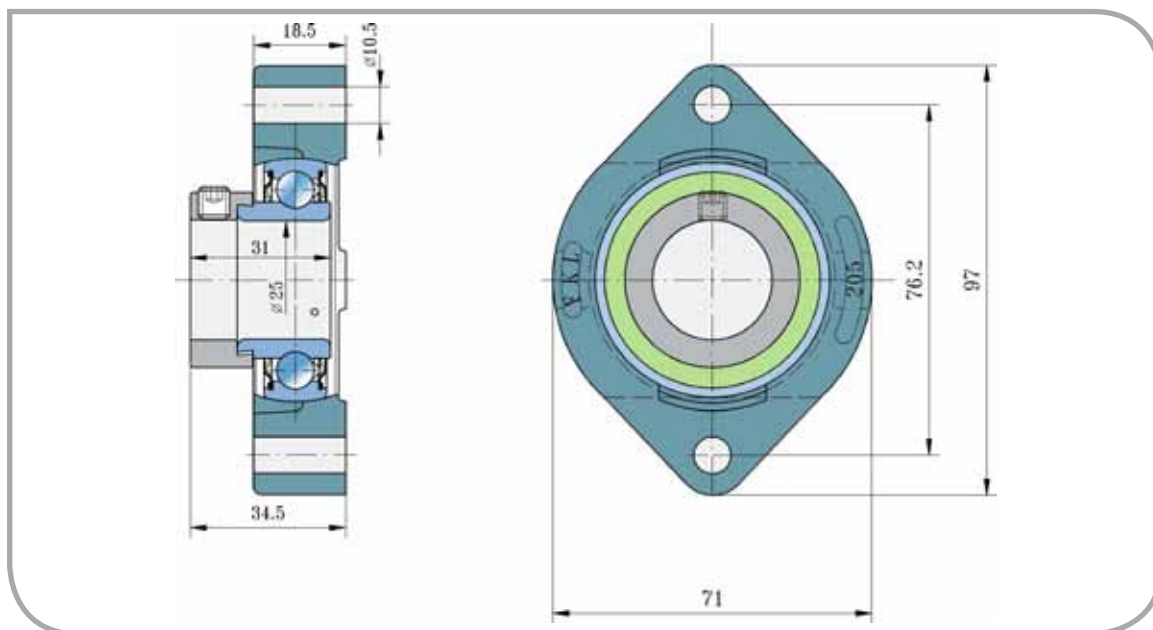
UYZ 205 2S.H



## UPOREDNE OZNAKE COMPARATIVE DESIGNATION

FKL	UYZ 205 2S.H
NEW HOLLAND	9514667
	89514667

Ležajevi kombajna  
Combine Solutions














Osnovne mere/Dimensions (mm)










d	L	J	B	C	kg
25	97	76,2	34,5	31	0,5

Potencijalno mesto ugradnje i primena:  
Typical Applications:

Kombajn  
Combine

## Uporedne oznake/Interchange list for FKL Y - bearings and bearing units

	FKL	SKF	FAG	INA	NSK	NTN	KOYO
	UES	SYJ.RM	-	PASEY	UBP	ASP	SBP
	LES	SYJ.TF	SG562	RASEY	UCP	UCP	UCP
	UYS	SYJ.FM	SG162	PASE	ENP	-	SAP
	LYS	SYJ.WF	SG362.B	RASE	EWP	UELP	NAP
	USS	-	SG762.B	-	-	-	-
LKS	SYJ.KF	-	-	-	UKP	UKP	UKP
	UEV	SYFJ.RM	-	-	UBPA	ASUP	SBPA
	LEV	SYFJ.TF	-	-	UCPA	UCUP	UCPA
	UYV	SYFJ.FM	-	-	-	AELUP	SAPA
	LYV	SYFJ.WF	-	-	EWPA	UELUP	NAPA
	USV	-	-	-	-	-	-
LKV	SYFJ.KF	-	-	UKPA	UKUP	UKPA	
	UEU	SYF.RM	-	PSHEY	-	-	-
	LEU	SYF.TF	-	RSHEY	-	-	-
	UYU	SYF.FM	-	PSHE	-	-	-
	LYU	SYF.WF	-	RSHE	-	-	-
	USU	-	-	-	-	-	-
LKU	SYF.KF	-	-	-	-	-	
	UEF	FYJ.RM	-	PCJY	UBF	ASF	SBF
	LEF	FYJ.TF	FG562	RCJY	UCF	UCF	UCF
	UYF	FYJ.FM	FG162	PCJ	-	AELF	SAF
	LYF	FYJ.WF	FG362.B	RCJ	EWf	UELf	NAF
	USF	-	FG762.B	-	-	-	-
LKF	FYJ.KF	-	-	UKF	UKF	UKF	
	UEN	FYTJ.RM	-	PCJTY	UBFL	ASFL	SBFL
	LEN	FYTJ.TF	-	RCJTY	UCLF	UCFL	UCFL
	UYN	FYTJ.FM	-	PCJT	-	AELFL	SAFL
	LYN	FYTJ.WF	-	RCJT	EWFL	UELFL	NAFL
	USN	-	-	-	-	-	-
LKN	FYTJ.KF	-	-	UKFL	UKFL	UKFL	
	UEG	FYC.RM	-	-	UBFC	ASFC	SBFC
	LEG	FYC.TF	-	-	UCFC	UCFC	UCFC
	UYG	FYC.FM	-	-	-	AELFC	-
	LYG	FYC.WF	-	RFE	EWFC	UELFC	NAFC
	USG	-	-	-	-	-	-
LKG	FYC.KF	-	-	UKFC	UKFC	UKFC	
	UET	TU.RM	-	-	UBT	AST	SBT
	LET	TU.TF	-	-	UCT	UCT	UCT
	UYT	TU.FM	-	PTUE	ENT	AELT	SAT
	LYT	TU.WF	-	RTUE	EWT	UELT	NAT
	UST	-	-	-	-	-	-
LKT	TU.KF	-	-	UKT	UKT	UKT	
	UEC	PF.RM	-	RAY	UBPF	ASPF	SBPF
	LEC	PF.TF	FB562	RRY	-	-	-
	UYC	PF.FM	FB162	RA	ENPF	AELPF	SAPF
	LYC	PF.WF	FB362.B	RR	-	-	-
	USC	-	FB762.B	-	-	-	-
LKC	-	-	-	-	-	-	
	UED	PFD.RM	-	RATRY	-	-	-
	LED	PFD.TF	-	RRTRY	-	-	-
	UYD	PFD.FM	-	RATR	-	-	-
	LYD	PFD.WF	-	RRTR	-	-	-
	USD	-	-	-	-	-	-
LKD	-	-	-	-	-	-	
	UEP	PFT.RM	-	RATY	UBPFL	ASPFL	SBPFL
	LEP	PFT.TF	-	RRTY	ENPFL	-	-
	UYP	PFT.FM	-	RAT	-	AELPFL	SAPFL
	LYP	PFT.WF	-	RRT	-	-	-
	USP	-	-	-	-	-	-
LKP	-	-	-	-	-	-	
	UER	P.RM	-	PBY	UBPP	ASPP	SBPP
	LER	P.TF	-	-	-	-	-
	UYR	P.FM	SB162	PB	ENPP	AELPP	SAPP
	LYR	P.WF	-	-	-	-	-
	USR	-	SB762.B	-	-	-	-
LKR	-	-	-	-	-	-	

FKL	UE	
SKF	YAT	
FAG	-	
INA	GAY.	
NSK	NPPB	
NTN	UB	
KOYO	SB	
FKL	LE	
SKF	YAR	
FAG	562	
INA	GYE.	
NSK	KRRB	
NTN	UC	
KOYO	UC	
FKL	UY	
SKF	YET	
FAG	162	
INA	GRAE.	
NSK	NPPB	
NTN	EN	
KOYO	SA	
FKL	LY	
SKF	YEL	
FAG	362.B	
INA	GE.KRRB	
NSK	EW	
NTN	UEL	
KOYO	NA	
FKL	US	
SKF	17262	
FAG	762.B	
INA	-	
NSK	CS	
NTN	CS	
KOYO	-	
FKL	LS	
SKF	YFE	
INA	-	
NSK	-	
NTN	-	
KOYO	-	
FKL	LK	
SKF	YSA	
FAG	-	
INA	-	
NSK	UK	
NTN	UK	
KOYO	UK	

**Fabrika kotrljajućih ležajeva i kardana FKL a.d. Temerin**  
***Factory of Rolling Bearings and Cardan Shafts***

**Industrijska zona bb**  
**21235 Temerin**  
**Srbija**

**Tel: +381 21 68 41 100**  
**Fax: +381 21 842 650**

**E-mail: [marketing@fkl-serbia.com](mailto:marketing@fkl-serbia.com)**  
**[www.fkl-serbia.com](http://www.fkl-serbia.com)**